



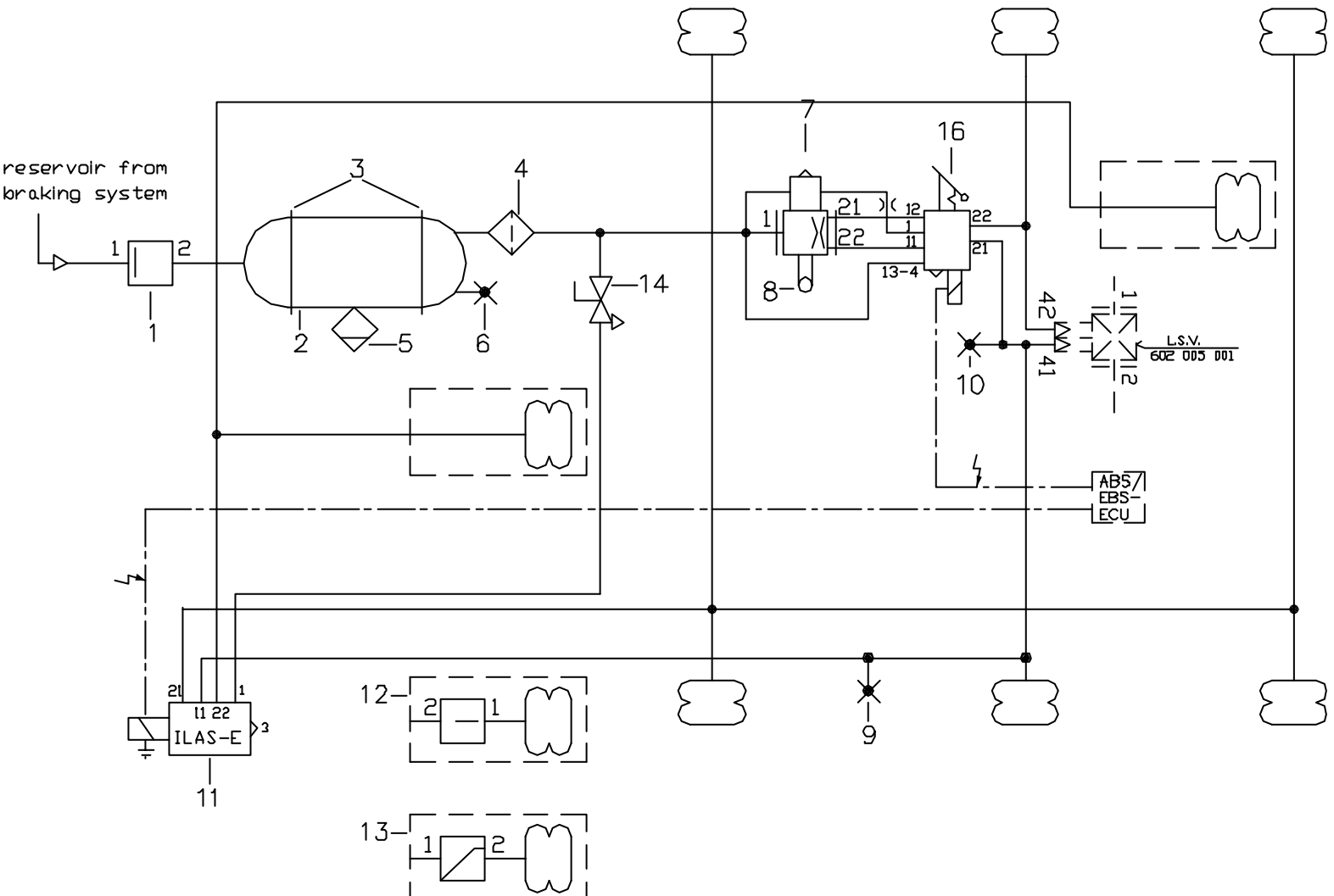
Created by C A D

Air suspension system with one levelling valve  
for 3- axle air suspension unit with COLAS,  
with ILAS - E ( 1. + 3. axle with axle lift )  
manufacturer :

380 101 971

page 1 of 1

symbols : DIN 74253



<b>HALDEX BRAKE PRODUCTS GmbH</b>	air suspension system with 1 COLAS,	<b>380 101 971</b>
<b>Client :</b>	ILAS - E ( 1.+ 3. axle with axle lift )	11.08.2005
<b>Vehicle :</b>	for 3- axle air suspension unit	Page 1

---

<b>Pos.</b>	<b>Qty.</b>	<b>Description</b>	<b>Part number</b>
1	1	PRESSURE PROTECTION VALVE w/o BACKFLOW (6,0 bar)	314 012 004
2	1	AIR RESERVOIR (EN) , V >= ... ltr.	030 .... 09
3	2	MOUNTING BRACKET , D = ... mm	030 .... 09
4	1	LINE FILTER	310 005 011
5	1	DRAIN VALVE , manual	315 019 001
6	1	TEST POINT (ISO 3583) , M 22*1.5	318 040 001
7	1	LEVELLING VALVE	612 032 ...
8	1	ACTUATING LEVER	612 025 001
9	1	TEST CONNECTION (ISO 3583) , M 12*1.5	318 036 001
10	1	SIMULATOR POINT for pneum.controlled L.S.V.	318 072 001
11	1	ILAS - E *) 352 061 or	352 062 ...
12	1	PRESSURE PROTECTION VALVE (e.g.-SAF) Option	314 013 012
13	1	PRESSURE LIMITING VALVE (e.g.BPW) Option	357 012 031
14	1	SHUT-OFF COCK (for service work)	334 077 001
15	1	COLAS (with soleonid)	338 051 ...

\*) 352 062 ... with push in coupling ( 8\*1 ) !