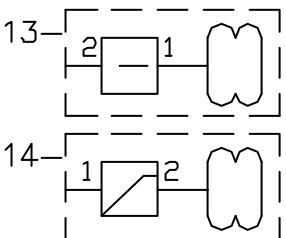
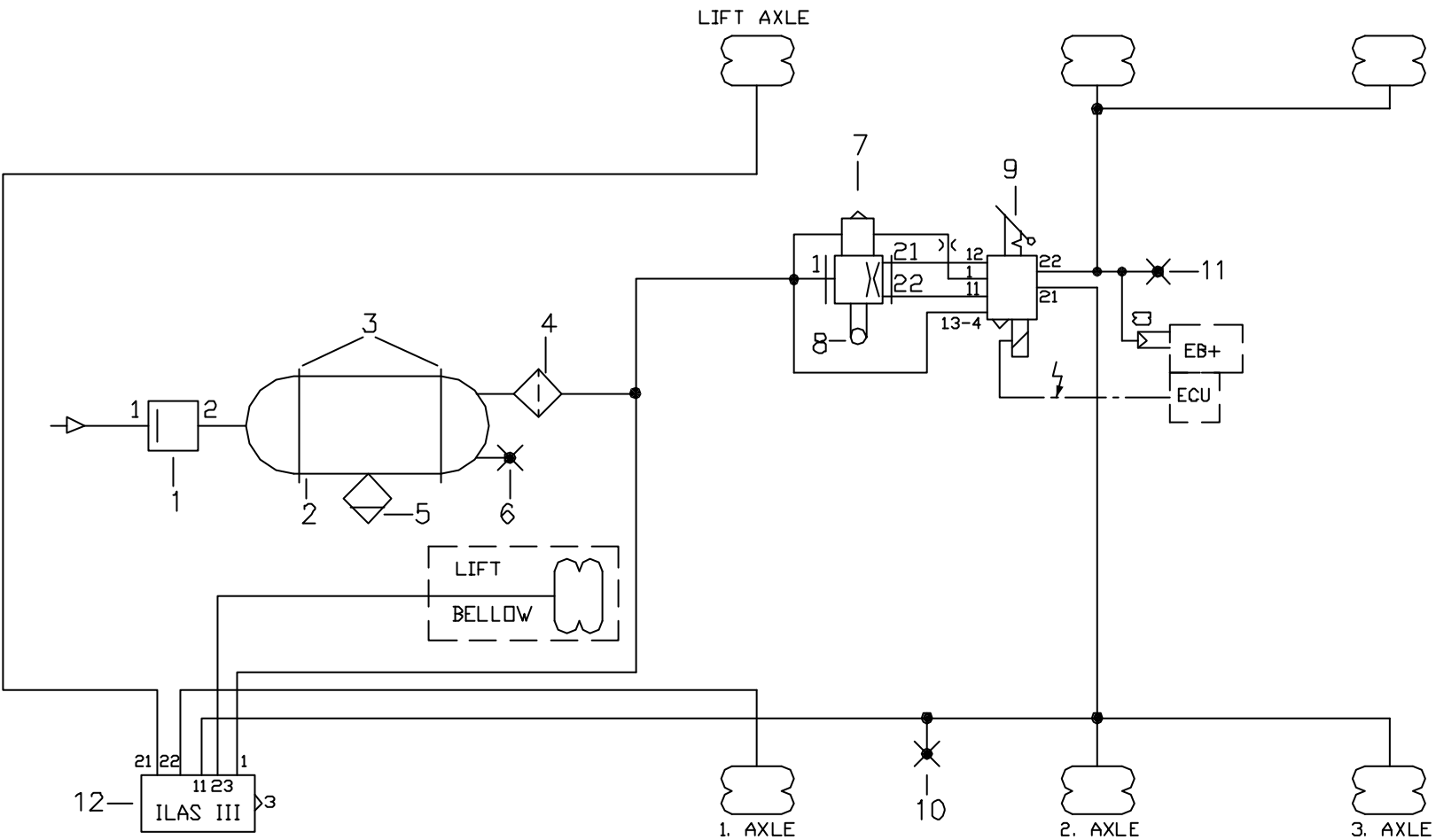


AIR SUSPENSION - SYSTEM  
 FOR 3 - AXLE RUNNING GEAR  
 WITH COLAS AND ILAS III (automatic)



Symbole : DIN 74253

Client :

FOR 3- AXLE RUNNING GEAR

08.11.2007

Vehicle :

WITH COLAS AND ILAS III (automatic)

Page 1

---

| Pos. | Qty. | Description                                      | Part number                   |
|------|------|--|-------------------------------|
| 1    | 1    | PRESSURE PROTECTION VALVE without BACKFLOW       | 314 012 104                   |
| 2    | 1    | AIR RESERVOIR (EN) , V >= ... ltr.               | 030 .... 09                   |
| 3    | 2    | MOUNTING BRACKET , D = ... mm                    | 030 .... 09                   |
| 4    | 1    | LINE FILTER                                      | 310 005 011                   |
| 5    | 1    | DRAIN VALVE , manual                             | 315 019 001                   |
| 6    | 1    | TEST POINT (ISO 3583) , M 22*1.5                 | ... ..                        |
| 7    | 1    | LEVELLING VALVE with hight limitation            | 612 032 ...                   |
| 8    | 1    | ACTUATING LEVER                                  | 612 025 001                   |
| 9    | 1    | COLAS (with RtR)                                 | 338 051 011 or<br>338 051 012 |
| 10   | 1    | TEST CONNECTION (ISO 3583) , M 12*1.5            | ... ..                        |
| 11   | 1    | SIMULATOR POINT for pneum.contr. LSV (Option)    | ... ..                        |
| 12   | 1    | ILAS III (automatic)                             | 352 051 ...                   |
| 13   | 1    | PR.-PROTECT.-VALVE w.BACKFL.f.REMAINING (Option) | 314 013 012                   |
| 14   | 1    | PRESSURE LIMITING VALVE (Option)                 | 357 012 031                   |