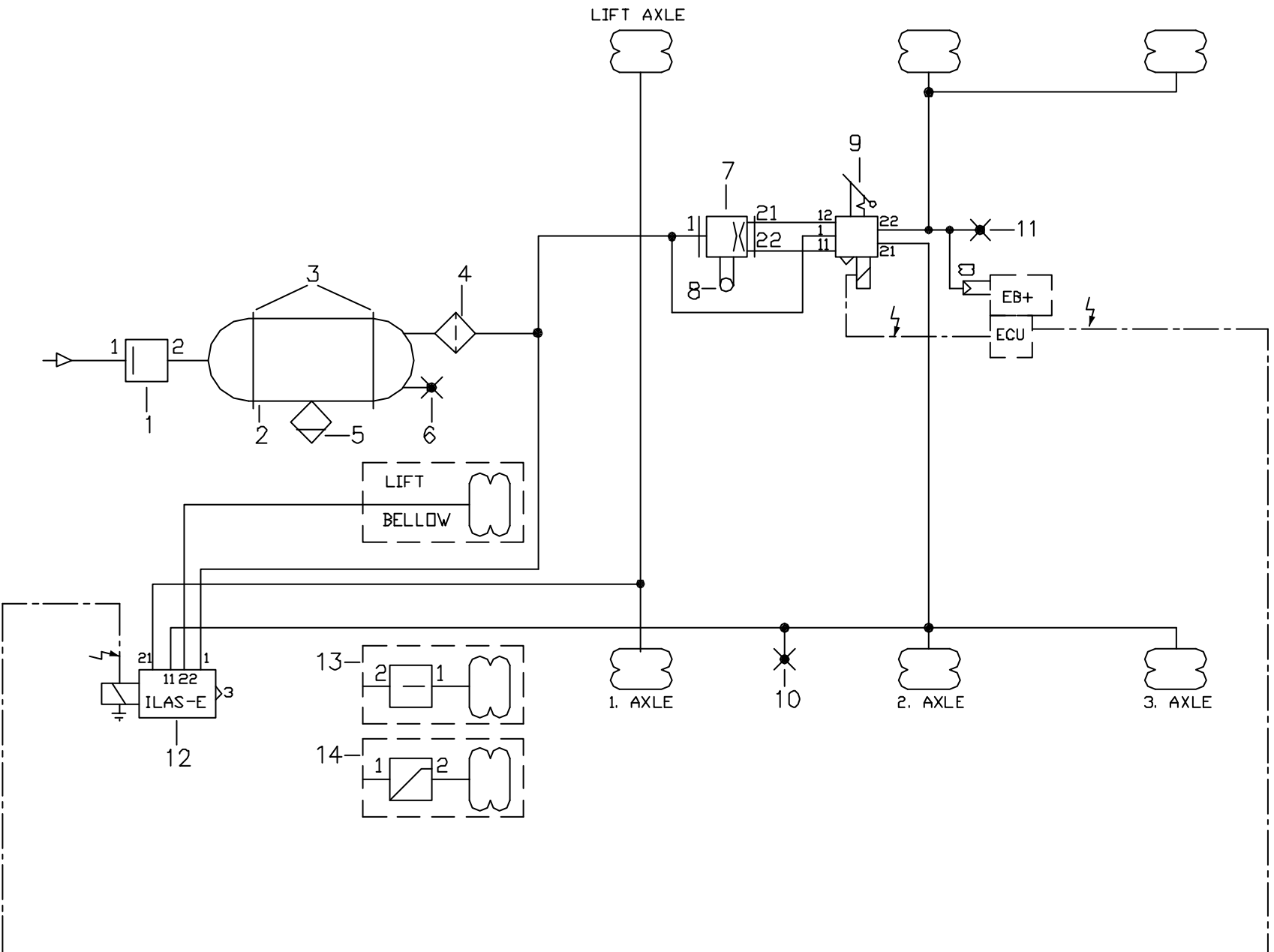


AIR SUSPENSION - SYSTEM
 FOR 3 - AXLE RUNNING GEAR
 WITH COLAS AND ILAS-E

Symbole : DIN 74253



| Pos. | Qty. | Description | Part number |
|-------------|-------------|---|--------------------|
| 1 | 1 | PRESSURE PROTECTION VALVE without BACKFLOW | 314 012 104 |
| 2 | 1 | AIR RESERVOIR (EN) , V >= ... ltr. | 030 09 |
| 3 | 2 | MOUNTING BRACKET , D = ... mm | 030 09 |
| 4 | 1 | LINE FILTER | 310 005 011 |
| 5 | 1 | DRAIN VALVE , manual | 315 019 001 |
| 6 | 1 | TEST POINT (ISO 3583) , M 22*1.5 | |
| 7 | 1 | LEVELLING VALVE (PLASTIC) | 612 035 ... |
| 8 | 1 | ACTUATING LEVER | 612 025 001 |
| 9 | 1 | COLAS (with RtR) 338 051 101 or | 338 051 102 |
| 10 | 1 | TEST CONNECTION (ISO 3583) , M 12*1.5 | |
| 11 | 1 | SIMULATOR POINT for pneum.contr. LSV (Option) | |
| 12 | 1 | ILAS - E *) 352 061 001 or | 352 062 001 |
| 13 | 1 | PR.-PROTECT.-VALVE w.BACKFL.f.REMAINING (Option) | 314 013 012 |
| 14 | 1 | PRESSURE LIMITING VALVE (Option) | 357 012 031 |

*) Pos. 12 ILAS-E with thread M16x1,5 (352 061 001)
or
Pos. 12 ILAS-E with Push-In (352 062 001)