

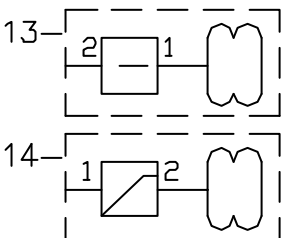
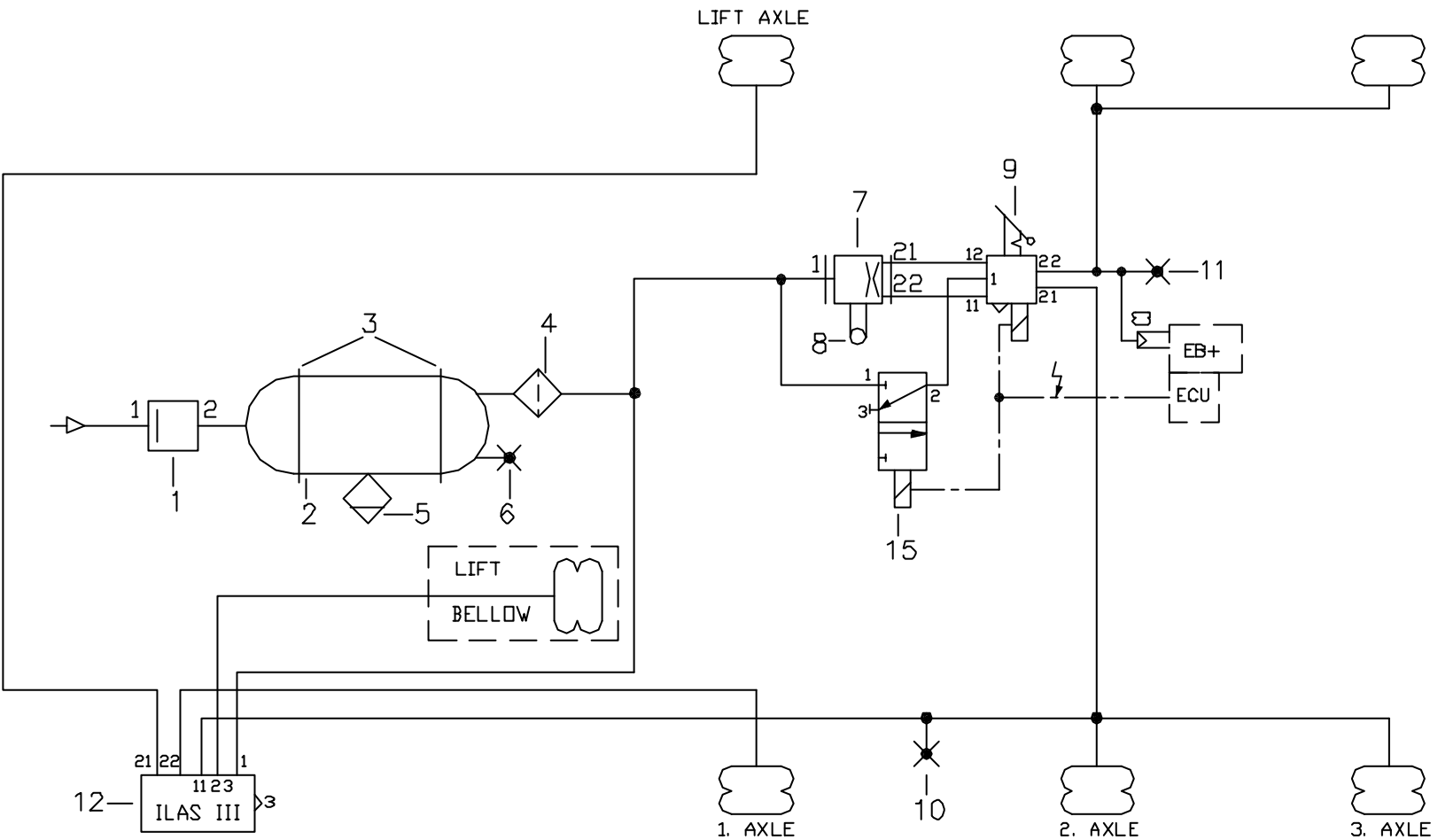
AIR SUSPENSION - SYSTEM

FOR 3 - AXLE RUNNING GEAR (TANKER)
WITH COLAS (R+R) ONLY FOR EXHAUSTING
AND WITH ILAS III (Automatic)

380 104 990

PAGE : 1

DF : 1



Symbole : DIN 74253

Pos.	Qty.	Description	Part number
1	1	PRESSURE PROTECTION VALVE without BACKFLOW	314 012 104
2	1	AIR RESERVOIR (EN) , V >= ... ltr.	030 09
3	2	MOUNTING BRACKET , D = ... mm	030 09
4	1	LINE FILTER	310 005 011
5	1	DRAIN VALVE , manual	315 019 001
6	1	TEST POINT (ISO 3583) , M 22*1.5
7	1	LEVELLING VALVE (PLASTIC)	612 035 ...
8	1	ACTUATING LEVER	612 025 001
9	1	COLAS (with RtR) 338 051 101 or	338 051 102
10	1	TEST CONNECTION (ISO 3583) , M 12*1.5
11	1	SIMULATOR POINT for pneum.contr. LSV (Option)
12	1	ILAS III (automatic)	352 051 ...
13	1	PR.-PROTECT.-VALVE w.BACKFL.f.REMAINING (Option)	314 013 012
14	1	PRESSURE LIMITING VALVE (Option)	357 012 031
15	1	3/2-WAY SOLENOID VALVE 12/24V 360 015 001 or	360 009 141