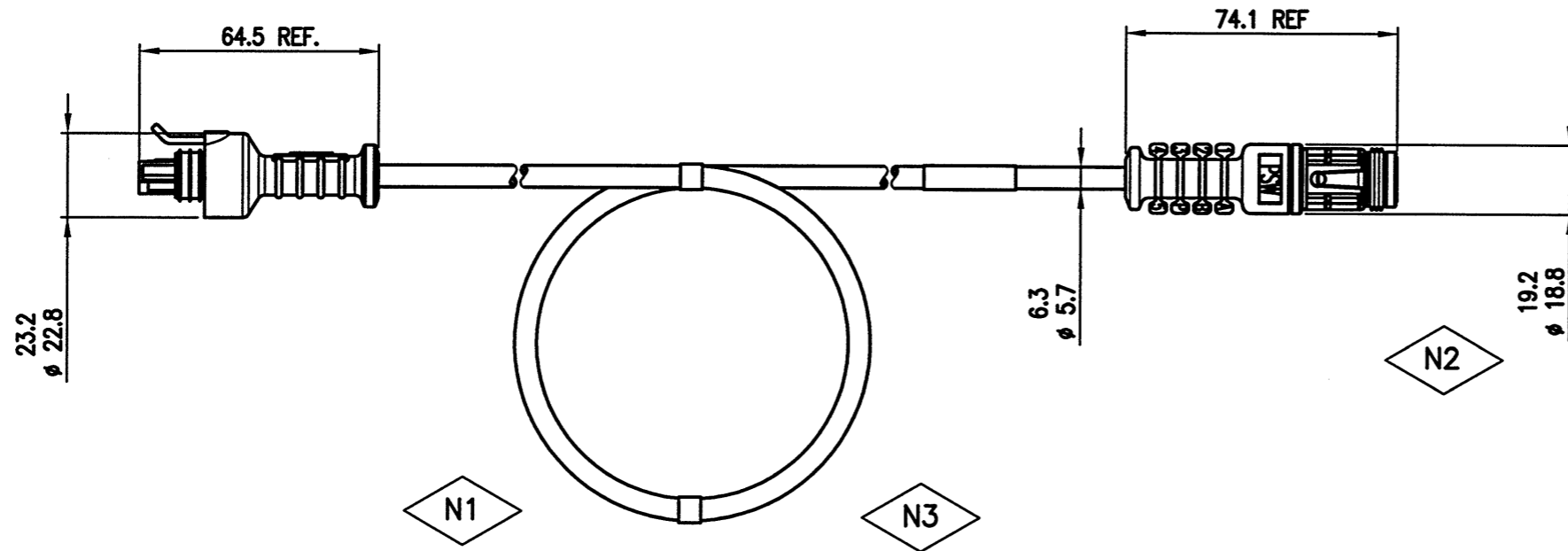


PART No.
814 001 500 2

COMPUTER PRODUCED DRAWING
MUST NOT BE CHANGED MANUALLY

- N 1 CABLE SUPPLIED IN COILED CONDITION AS SHOWN.
- N 2 REFER TO INSTALLATION/SERVICE MANUAL FOR TAG REMOVAL.
- N 3 CONFORMS TO IP67 (BS EN 60529) WHEN MATED TO EB+ ECU/PRESSURE SWITCH.



ASSY. No.	CABLE LENGTH	CABLE MATERIAL	BPW PART No.
814 001 501	10M	PUR	-
814 001 511	2M	PUR	-
814 001 521	0.75M	PUR	-
814 001 531	3M	PUR	-
814 001 541	5M	PUR	-
814 001 551	8M	PUR	-

ASSY. NO.	CABLE LENGTH	CABLE MATERIAL	BPW PART No.
814 001 502	10m	PVC	02.1833.06.36
814 001 512	2m	PVC	02.1833.06.32
814 001 522	0.75m	PVC	02.1833.06.31
814 001 532	3m	PVC	02.1833.06.33
814 001 542	5m	PVC	02.1833.06.34
814 001 552	8m	PVC	02.1833.06.35
814 001 562	26m	PVC	-

THIS DRAWING/SPECIFICATION USES CLASSIFIED CHARACTERISTIC SYMBOLS DEFINED IN QUALITY PROCEDURE 4.17

ISS	CHANGE	CHEC	DATE	ISS	CHANGE	CHEC	DATE
7	C5751	PL	07.10.09				
6	C5485	JFB	02.06.09				
5	C5155	RCM	12.03.07				
4	C4229	PTC	04.12.02				
3	C4118	CGS	19.03.02				
2	C3839	CGS	01.06.01				
1	PR1321	CGS	16.02.00				

AutoCAD PART
THIS DRAWING/DOCUMENT IS COPYRIGHT AND THE PROPERTY OF HALDEX BRAKE PRODUCTS LIMITED. IT MUST NOT BE COPIED (IN WHOLE OR IN PART) USED FOR MANUFACTURE OR OTHERWISE DISCLOSED WITHOUT PRIOR WRITTEN CONSENT OF THE COMPANY. ANY COPIES OF THIS DRAWING/DOCUMENT MADE BY ANY METHOD MUST ALSO INCLUDE A COPY OF THIS LEGEND. © 2009

NOTE: UNLESS OTHERWISE STATED THE FOLLOWING APPLIES
1 ISO METHOD A PROJECTION.
2 S.I. UNITS.
3 SURFACE FINISH TO BS 308/BS 1134.
4 DIMS. APPLY AFTER CHEMICAL OR ELECTRO-PLATED FINISH.
5 WELD SYMBOLS TO BS 499.
6 D DATUM DIMENSIONS.
7 METRIC THREADS TO BS 3643/DIN 13.
8 UNIFIED THREADS TO BS 1580.

ASSOC SPECS.	DRAWN	DATE
	CGSpracklen	22-11-00
MATERIAL	CHECKED	DATE
	JPH	09-10-09
HEAT TREATMENT	APPROVED SPECIALIST	DATE
FINISH	APPROVED FOR ISSUE	DATE
FORM	JPH	09-10-09

TITLE
REV PRESSURE SWITCH CABLE EB+
SCALE 2: 1
SHEET 1 OF 1

HALDEX BRAKE PRODUCTS LTD
MOONS MOAT DRIVE,
MOONS MOAT NORTH,
REDDITCH, WORCS.
B98 9HA



PART No.
814 001 500 2