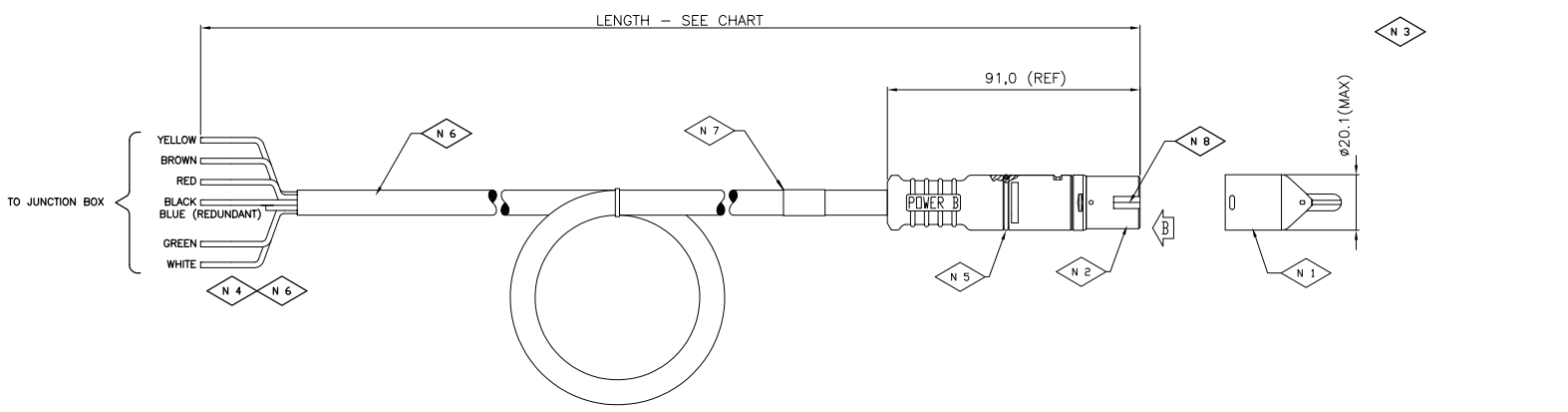


PART No. 814 002 300 2

COMPUTER PRODUCED DRAWING
MUST NOT BE CHANGED MANUALLY



- N 1 PROTECTIVE CAP :
DO NOT REMOVE UNTIL FITMENT TO ECU.
- N 2 SUPER AUX CONNECTOR (BLACK).
- N 3 SUPER AUX, SOCKET CONFIGURATION:
SOCKET 1 : BLANK
SOCKET 2 : B+ STOP LIGHT
SOCKET 3 : 24V OUTPUT
SOCKET 4 : AUX C INPUT
SOCKET 5 : AUX B INPUT
SOCKET 6 : B-
SOCKET 7 : AUX A INPUT
- N 4 CABLE END CONFIGRATION
1. BLUE : REDUNDANT
2. RED : B+ STOP LIGHT
3. BLACK : 24V OUTPUT
4. GREEN : AUX C INPUT
5. BROWN : AUX B INPUT
6. WHITE : B-
7. YELLOW : AUX A INPUT
- N 5 'O'-RINGS TO BE PROTECTED FROM DAMAGE
PRIOR TO ASSEMBLY.
- N 6 WIRES CROSS-SECTIONAL AREA = 7 x 1.5mm?
CABLE OUTER SHEATH MATERIAL: PVC
- N 7 PART NUMBER IDENTIFICATION
- N 8 KEY POSITION
- N 9 REFER TO WIRING DIAGRAM 911 440 001

HALDEX ASSY No	BPW ASSY No	CUT LENGTH	ISS	CHANGE	DATE
814 002 301	02.1833.07.02	6m	1	PR1818	24/06/08
814 002 311	02.1833.07.04	12m	1	PR1818	24/06/08
814 002 321	02.1833.07.03	9m	1	PR1958	24/06/08
814 002 331	02.1833.07.01	4m	1	PR1958	28/10/08
814 002 341		1m	1	PR2046	17/08/10

THIS DRAWING/SPECIFICATION USES
CLASSIFIED CHARACTERISTIC SYMBOLS
DEFINED IN QUALITY PROCEDURE 4.17

ISS	CHANGE	CHEC	DATE	ISS	CHANGE	CHEC	DATE
5	C5905	PL	17/05/10				
4	C5686	JFB	24/07/09				
3	C5485	HSU	28.10.08				
2	C5428	HSU	24/06/08				
1	PR1818	DMS	19/06/07				

AutoCAD PART
THIS DRAWING/DOCUMENT IS
COPYRIGHT AND THE PROPERTY OF
HALDEX BRAKE PRODUCTS LIMITED.
IT MUST NOT BE COPIED (IN WHOLE
OR IN PART) USED FOR MANUFACTURE
OR OTHERWISE DISCLOSED WITHOUT
PRIOR WRITTEN CONSENT OF THE
COMPANY. ANY COPIES OF THIS
DRAWING/DOCUMENT MADE BY ANY
METHOD MUST ALSO INCLUDE A COPY
OF THIS LEGEND.

NOTE: UNLESS OTHERWISE STATED THE FOLLOWING APPLIES
1 ISO METHOD A PROJECTION.
2 S.I. UNITS.
3 SURFACE FINISH TO BS 308/BS 1134.
4 DIMS. APPLY AFTER CHEMICAL OR ELECTRO-PLATED FINISH.
5 WELD SYMBOLS TO BS 499.
6 DATUM DIMENSIONS.
7 METRIC THREADS TO BS 3643/DIN 13.
8 UNIFIED THREADS TO BS 1580.

ASSOCIATED SPECIFICATIONS	MATERIAL	DRAWN	DATE
-	-	HS Ush	24.06.08
-	HEAT TREATMENT	CHECKED	DATE
-	-	JPH	18/05/10
-	FINISH	APPROVED SPECIALIST	DATE
-	-	JPH	18/05/10
-	FORM	APPROVED FOR ISSUE	DATE
-	ASSEMBLY	JPH	18/05/10

TITLE
EB+ GEN2
SUPER AUX CABLE

ORIGINAL SCALE: 1 : 1
SHEET 1 OF 1

WAS -

HALDEX
HALDEX BRAKE PRODUCTS LTD.
MOONS MOAT DRIVE, REDDITCH, WORCS. B96 7HA

PART No.
814 002 300 2