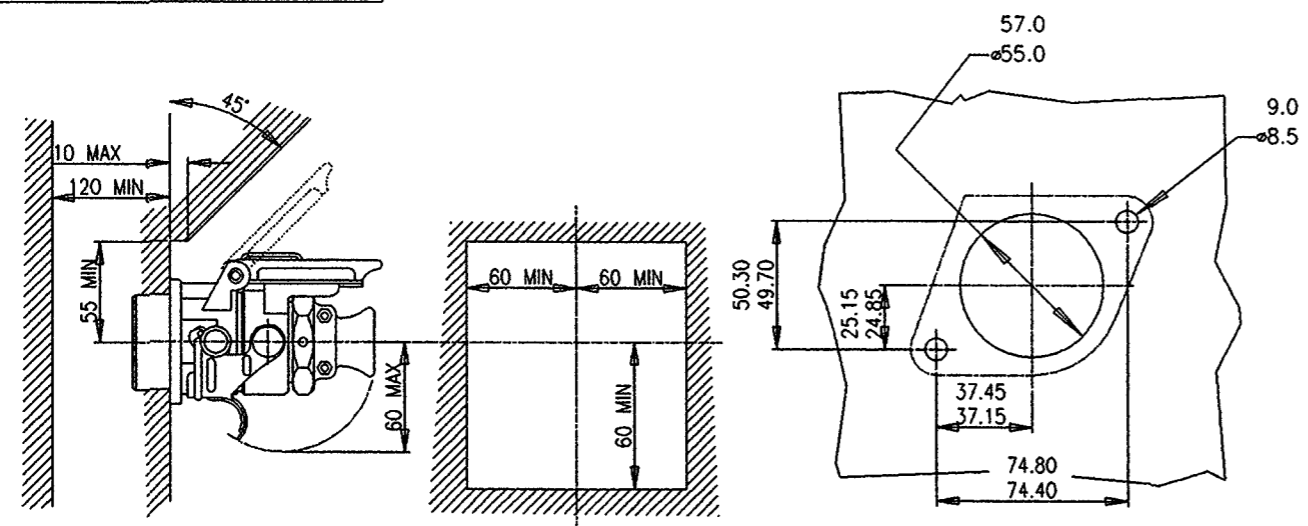


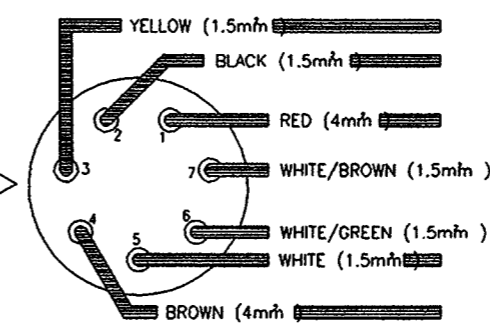
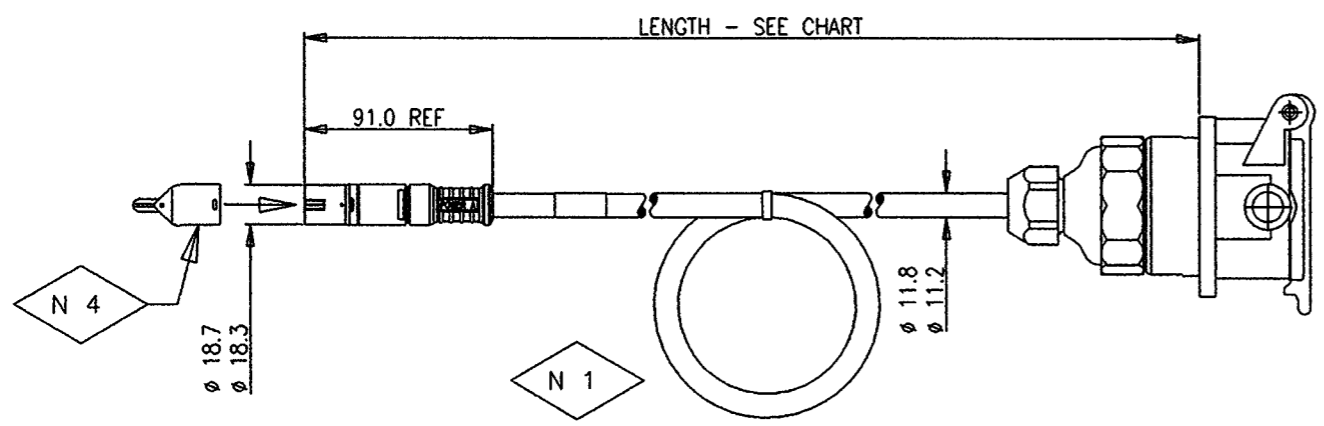
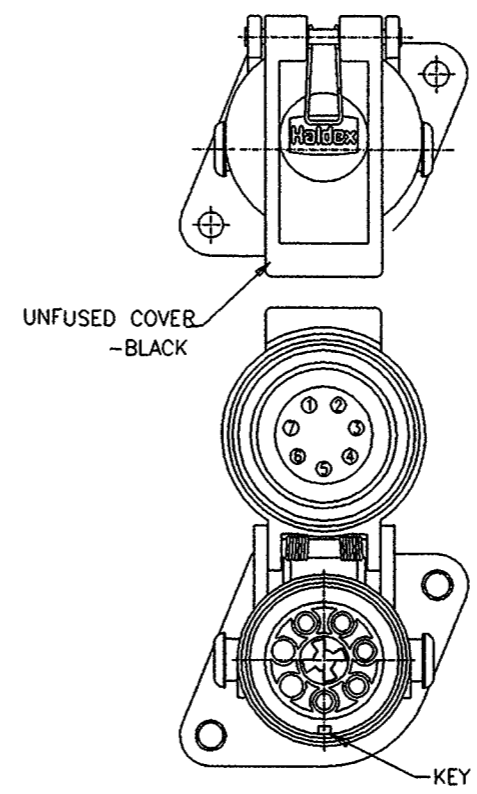
PART No. 814 003 100 2

COMPUTER PRODUCED DRAWING  
MUST NOT BE CHANGED MANUALLY



CLEARANCE DIMENSIONS

SOCKET MOUNTING DIMENSIONS



- N 1 CABLE ASSEMBLY SUPPLIED IN COILED CONDITION AS SHOWN
- N 2 KEY POSITION DENOTES 24V SYSTEM
- N 3 VIEW SHOWING WIRES ON WIRING SIDE OF CONNECTOR
- N 4 PROTECTIVE CAP - DO NOT REMOVE UNTIL FITMENT TO ECU
- N 5 CONFORMS TO IP67 (BS EN 60529) WHEN MATED WITH EB+ ECU

**K T M** THIS DRAWING/SPECIFICATION USES CLASSIFIED CHARACTERISTIC SYMBOLS DEFINED IN QUALITY PROCEDURE 4.17

ASSY No.	LENGTH (MIN)	CABLE MATERIAL	BPW PART No.	ASSY No.	LENGTH (MIN)	CABLE MATERIAL	BPW PART No.
814 003 102	12M	PVC	02.1833.01.03	814 003 101	12M	PUR	-
814 003 112	16M	PVC	02.1833.01.05	814 003 111	16M	PUR	-
814 003 122	18M	PVC	02.1833.01.06	814 003 121	18M	PUR	-
814 003 132	9M	PVC	02.1833.01.02	814 003 131	9M	PUR	-
814 003 142	14M	PVC	02.1833.01.04	814 003 141	14M	PUR	-
814 003 152	6M	PVC	02.1833.01.01	814 003 151	6M	PUR	-

ISS	CHANGE	CHEC	DATE	ISS	CHANGE	CHEC	DATE
8	C5485	JFB	01/06/09				
7	C5155	RCM	12-03-07				
6	C4418	DMS	29-10-03				
5	C4322	CGS	01-05-03				
4	C4229	PTC	04-12-02				
3	C3971	GAB	24/07/01				
2	C3829	CCS	01-06-01				
1	PR1321	CCS	16-02-01				

THIS DRAWING/DOCUMENT IS COPYRIGHT AND THE PROPERTY OF HALDEX BRAKE PRODUCTS LIMITED. IT MUST NOT BE COPIED (IN WHOLE OR IN PART) USED FOR MANUFACTURE OR OTHERWISE DISCLOSED WITHOUT PRIOR WRITTEN CONSENT OF THE COMPANY. ANY COPIES OF THIS DRAWING/DOCUMENT MADE BY ANY METHOD MUST ALSO INCLUDE A COPY OF THIS LEGEND. © 2002

NOTE: UNLESS OTHERWISE STATED THE FOLLOWING APPLIES  
 1 ISO METHOD A  $\phi$  PROJECTION.  
 2 S.I. UNITS.  
 3 SURFACE FINISH TO BS 308/BS 1134.  
 4 DIMS. APPLY AFTER CHEMICAL OR ELECTRO-PLATED FINISH.  
 5 WELD SYMBOLS TO BS 499.  
 6 D DATUM DIMENSIONS.  
 7 METRIC THREADS TO BS 3643/DIN 13.  
 8 UNIFIED THREADS TO BS 1580.

ASSOC SPECS.	DRAWN	DATE
	CGSprocklen	22-11-00
MATERIAL	CHECKED	DATE
	R. Malley	3-6-09
HEAT TREATMENT	APPROVED SPECIALIST	DATE
FINISH		
FORM	APPROVED FOR ISSUE	DATE
	R. Malley	3-6-09

TITLE  
 ISO 7638  
 24V - UNFUSED  
 SOCKET ASSY  
 EB+

ORIGINAL SCALE  
 WAS  
 SHEET 1 OF 1

HALDEX BRAKE PRODUCTS LTD  
 MOONS MOAT DRIVE,  
 MOONS MOAT NORTH,  
 REDDITCH, WORCS.  
 B98 9HA

**Haldex**

PART No. 814 003 100 2