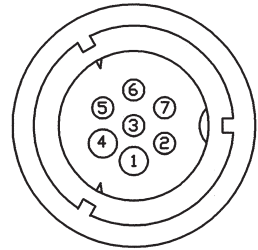


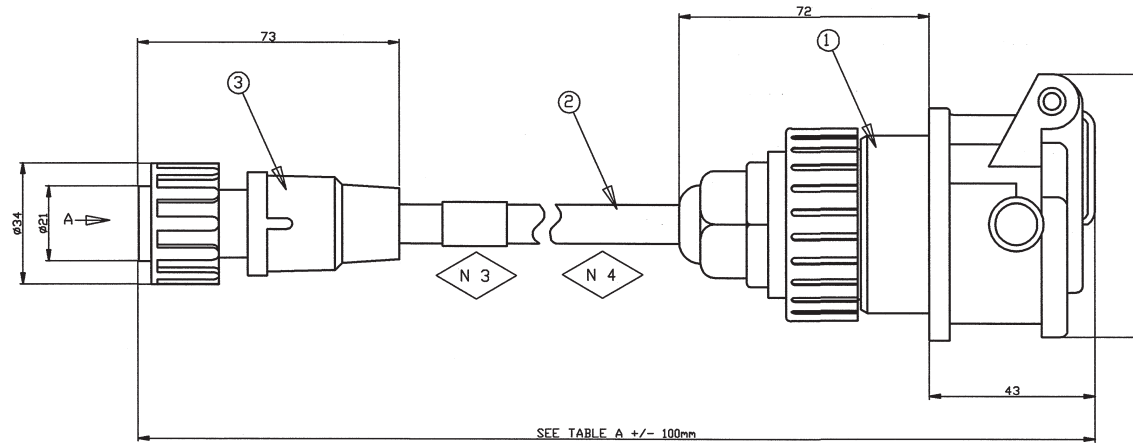
PART No. 814 003 200 2

COMPUTER PRODUCED DRAWING  
MUST NOT BE CHANGED MANUALLY

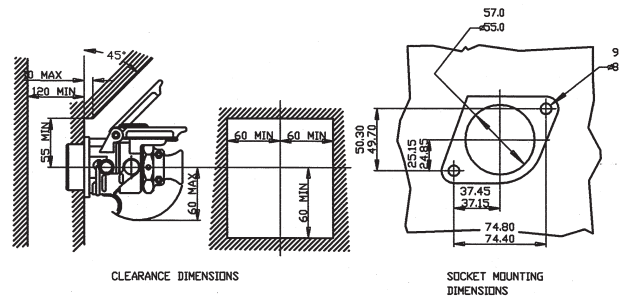


- PIN 1 = RED
- PIN 2 = BLACK
- PIN 3 = YELLOW
- PIN 4 = BROWN
- PIN 5 = WHITE
- PIN 6 = WHITE/GREEN
- PIN 7 = WHITE/BROWN

VIEW ON ARROW A



- N1 KEY POSITION DENOTES 24V SYSTEM
- N2 VIEW SHOWING WIRES ON WIRING SIDE OF CONNECTOR
- N3 CABLE IDENTIFICATION.
- N4 SEE TABLE B FOR PARTS LIST
- N5 CONFORMS TO IP67 (BS EN 60529) WHEN FULLY MATED

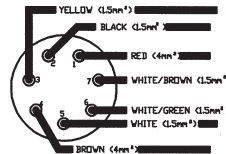


CLEARANCE DIMENSIONS

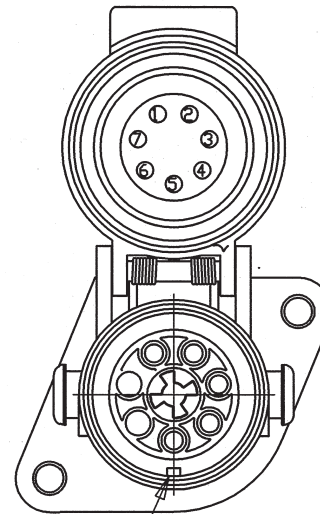
SOCKET MOUNTING DIMENSIONS

HALDEX ASSY No.	LENGTH.	ISSUE	DATE
814 003 201	1 MTR	1	21/09/10
814 003 211	12 MTR	1	21/09/10

ITEM No.	DESCRIPTION
1	EBS SOCKET, ISO 7638 24V
2	CABLE, 7 CONDUCTOR (Ø11.5mm)
3	7 PIN SOCKET WITH LOCKING NUT & SEAL



N 2



N 1

THIS DRAWING/SPECIFICATION USES CLASSIFIED CHARACTERISTIC SYMBOLS DEFINED IN QUALITY PROCEDURE 4.17

ISS	CHANGE	CHEC	DATE	ISS	CHANGE	CHEC	DATE
1	PR2046	GIL	21/09/10				

THIS DRAWING/DOCUMENT IS COPYRIGHT AND THE PROPERTY OF HALDEX BRAKE PRODUCTS LIMITED. IT MUST NOT BE COPIED (IN WHOLE OR IN PART) USED FOR MANUFACTURE OR OTHERWISE DISCLOSED WITHOUT PRIOR WRITTEN CONSENT OF THE COMPANY. ANY COPIES OF THIS DRAWING/DOCUMENT MADE BY ANY METHOD MUST ALSO INCLUDE A COPY OF THIS LEGEND.

NOTE: UNLESS OTHERWISE STATED THE FOLLOWING APPLIES  
 1 ISO METHOD A PROJECTION  
 2 S.I. UNITS  
 3 SURFACE FINISH TO BS 308/BS 1134.  
 4 DIMS. APPLY AFTER CHEMICAL OR ELECTRO-PLATED FINISH.  
 5 WELD SYMBOLS TO BS 499.  
 6 D DATUM DIMENSIONS.  
 7 METRIC THREADS TO BS 3643/DIN 13.  
 8 UNIFIED THREADS TO BS 1580.

ASSOCIATED SPECIFICATIONS	MATERIAL
	-
	HEAT TREATMENT
	-
	FINISH
	-
	FORM
	-

DRAWN	DATE
GIL	21. 09. 10.
CHECKED	DATE
JPH	
APPROVED SPECIALIST	DATE
JPH	
APPROVED FOR ISSUE	DATE
<i>A.L. Gurnell</i>	04/10/10

TITLE
ISO 7638 TO 7 PIN SOCKET 24 VOLT CABLE CHART
ORIGINAL SCALE
NTS
WAS
SHEET 1 OF 1

**Haldex**  
 HALDEX BRAKE PRODUCTS LTD.  
 MOONS MOAT DRIVE, REDDITCH, WORCS. B98 7HA

PART No. 814 003 200 2

1  
A2