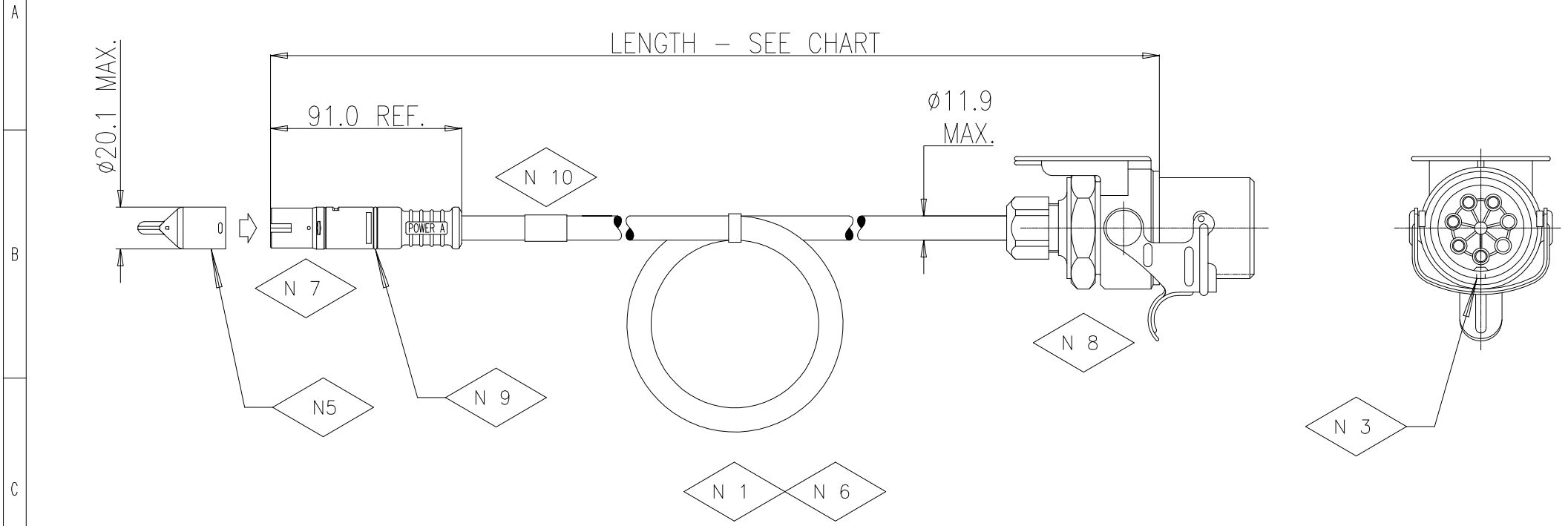


PART No. 814 004 100 2

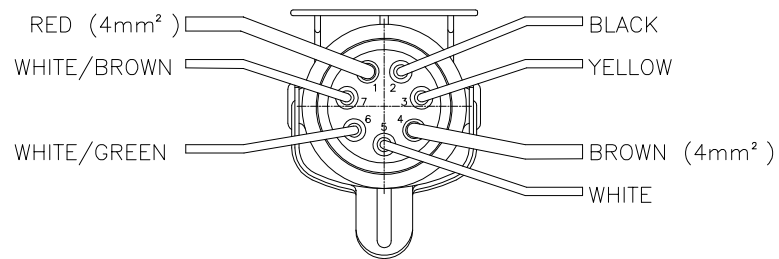
COMPUTER PRODUCED DRAWING  
MUST NOT BE CHANGED MANUALLY



- N 1 CABLE IS SUPPLIED COILED IN A PLASTIC BAG. AS SHOWN.
- N 2 SEE CHART 'A' FOR CABLE ASSEMBLY PART NUMBER.
- N 3 KEY SLOT POSITION DENOTES 24V SYSTEM.
- N 4 VIEW SHOWING WIRES ON WIRING SIDE OF CONNECTOR.
- N 5 PROTECTIVE CAP - DO NOT REMOVE UNTIL FITMENT TO EB+ ECU.
- N 6 CABLE INSULATION MATERIAL - PVC  
WIRE CROSS SECTIONAL AREA - 5x1.5mm<sup>2</sup> AND 2x4.0mm<sup>2</sup>.
- N 7 CONFORMS TO IP67 (BS EN 60529) WHEN MATED WITH EB+ ECU.
- N 8 CONFORMS TO IP67 (BS EN 60529) WHEN MATED WITH ISO 7638 SOCKET ASSEMBLY.
- N 9 SEAL TO BE PROTECTED FROM DAMAGE PRIOR TO ASSEMBLY
- N10 PART NUMBER IDENTIFICATION.

CHART 'A'

ASSY NO.	LENGTH (MIN)
814 004 102	9M
814 004 112	12M
814 004 122	15M
814 004 132	18M



**K** **M**  
**T** THIS DRAWING/SPECIFICATION USES CLASSIFIED CHARACTERISTIC SYMBOLS DEFINED IN QUALITY PROCEDURE 4.17

ISS	CHANGE	CHEC	DATE	ISS	CHANGE	CHEC	DATE
6	C6321	MPH	03-10-12				
5	C5485	JFB	01/06/09				
4	C5155	RCM	12-03-07				
3	C4773	CGS	10-05-05				
2	C4624	CGS	07-10-04				
1	PR1402	CGS	30-07-01				

THIS DRAWING/DOCUMENT IS COPYRIGHT AND THE PROPERTY OF HALDEX BRAKE PRODUCTS LIMITED. IT MUST NOT BE COPIED (IN WHOLE OR IN PART) USED FOR MANUFACTURE OR OTHERWISE DISCLOSED WITHOUT PRIOR WRITTEN CONSENT OF THE COMPANY. ANY COPIES OF THIS DRAWING/DOCUMENT MADE BY ANY METHOD MUST ALSO INCLUDE A COPY OF THIS LEGEND. © 2001

NOTE: UNLESS OTHERWISE STATED THE FOLLOWING APPLIES  
 1 ISO METHOD A PROJECTION.  
 2 S.I. UNITS.  
 3 SURFACE FINISH TO BS 308/BS 1134.  
 4 DIMS. APPLY AFTER CHEMICAL OR ELECTRO-PLATED FINISH.  
 5 WELD SYMBOLS TO BS 499.  
 6 D DATUM DIMENSIONS.  
 7 METRIC THREADS TO BS 3643/DIN 13.  
 8 UNIFIED THREADS TO BS 1580.

ASSOC SPECS.	BS EN 60529		
MATERIAL		DRAWN CGSpracklen	DATE 25-07-01
HEAT TREATMENT		CHECKED	DATE 12/10/12
FINISH		APPROVED SPECIALIST JPH	DATE 12/10/12
FORM		APPROVED FOR ISSUE JPH	DATE 12/10/12

TITLE  
**EB+**  
**ISO 7638**  
**PLUG ASSY**  
**(24V - 7 PIN)**

ORIGINAL SCALE  
 NTS

WAS  
 SHEET 1 OF 1

HALDEX BRAKE PRODUCTS LTD  
 MOONS MOAT DRIVE,  
 REDDITCH, WORCS.  
 B98 9HA

**Haldex**

PART No.  
 814 004 100 2

A3