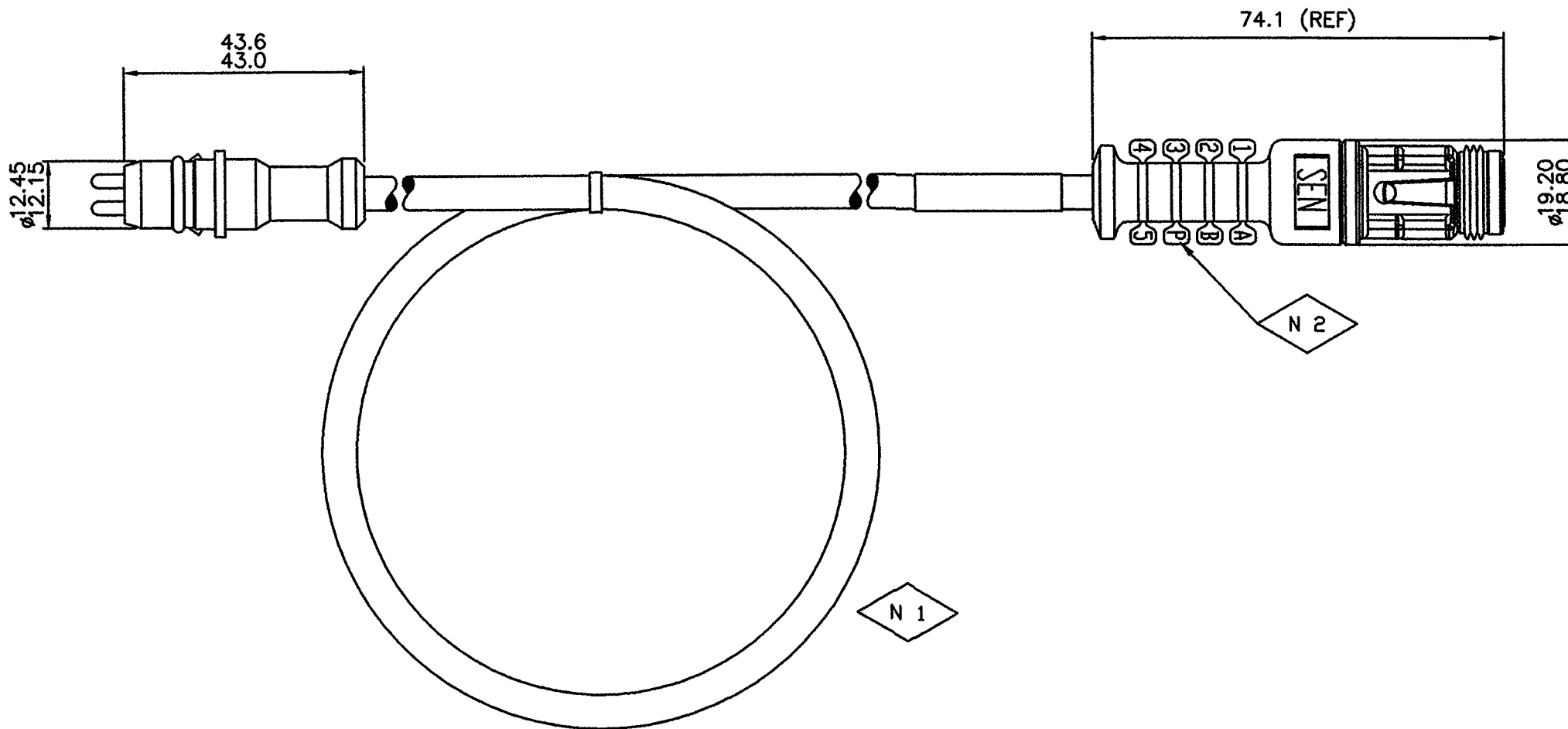


PART No.
814 004 400 2

COMPUTER PRODUCED DRAWING
MUST NOT BE CHANGED MANUALLY



- N 1 CABLE SUPPLIED IN COILED CONDITION AS SHOWN
- N 2 REFER TO INSTALLATION/SERVICE MANUAL FOR TAG REMOVAL
- N 3 CONFORMS TO IP67 (BS EN 60529) WHEN MATED WITH EB+ ECU

HALDEX ASSY No	BPW ASSY No	CABLE LENGTH	CABLE MATERIAL
814 004 401	02.1833.05.02	3.0m	PUR
814 004 411	02.1833.05.03	6.0m	PUR
814 004 421	02.1833.05.01	2.0m	PUR
814 004 431	02.1833.05.05	10.0m	PUR
814 004 441	02.1833.05.07	14.0m	PUR
814 004 451	02.1833.05.04	8.0m	PUR
814 004 461	02.1833.05.06	12.0m	PUR
814 004 471	-	4.0m	PUR

THIS DRAWING/SPECIFICATION USES CLASSIFIED CHARACTERISTIC SYMBOLS DEFINED IN QUALITY PROCEDURE 4.17

ISS	CHANGE	CHEC	DATE	ISS	CHANGE	CHEC	DATE
5	C4377	CGS	12. 08. 03				
4	C4229	PTC	04. 12. 02				
3	C4227	CGS	27. 11. 02	8	C5485	HSU	27. 10. 08
2	C3829	CGS	01. 06. 01	7	C5370	CGS	11. 02. 08
1	PR1321	CGS	16. 02. 01	6	C4525	DMS	13. 05. 04

AutoCAD PART
THIS DRAWING/DOCUMENT IS COPYRIGHT AND THE PROPERTY OF HALDEX BRAKE PRODUCTS LIMITED. IT MUST NOT BE COPIED (IN WHOLE OR IN PART) USED FOR MANUFACTURE OR OTHERWISE DISCLOSED WITHOUT PRIOR WRITTEN CONSENT OF THE COMPANY. ANY COPIES OF THIS DRAWING/DOCUMENT MADE BY ANY METHOD MUST ALSO INCLUDE A COPY OF THIS LEGEND. ©2008

NOTE: UNLESS OTHERWISE STATED THE FOLLOWING APPLIES
1 ISO METHOD A PROJECTION
2 S. I. UNITS.
3 SURFACE FINISH TO BS 308/BS 1134.
4 DIMS. APPLY AFTER CHEMICAL OR ELECTRO-PLATED FINISH.
5 WELD SYMBOLS TO BS 499.
6 D DATUM DIMENSIONS.
7 METRIC THREADS TO BS 3643/DIN 13.
8 UNIFIED THREADS TO BS 1580.

ASSOCIATED SPECIFICATIONS
-

MATERIAL
-
HEAT TREATMENT
-
FINISH
-
FORM
-

DRAWN	DATE
HS Ubhi	27. 10. 08
CHECKED	DATE
R. Malhotra	3-6-09
APPROVED SPECIALIST	DATE
APPROVED FOR ISSUE	DATE
R. Malhotra	3-6-09

TITLE
SENSOR CABLE EB+
ORIGINAL SCALE
1: 1
WAS
-
SHEET
1 OF 1

Haldex
HALDEX BRAKE PRODUCTS LTD.
MOONS HOAT DRIVE, REDBITCH, WORCS. B98 7HA
PART No.
814 004 400 2