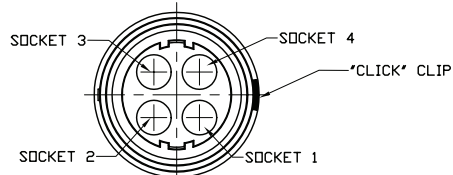
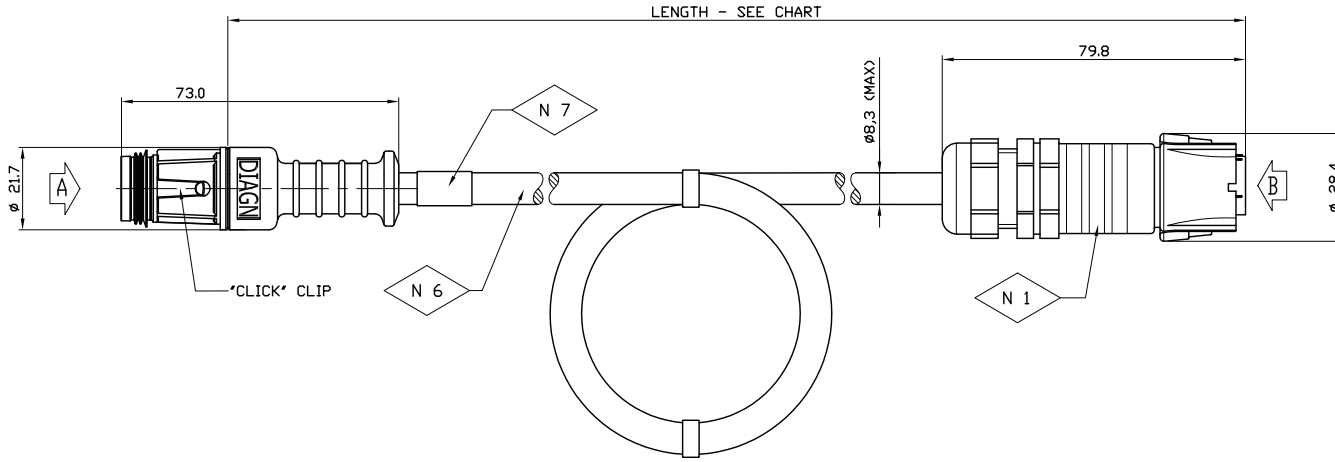
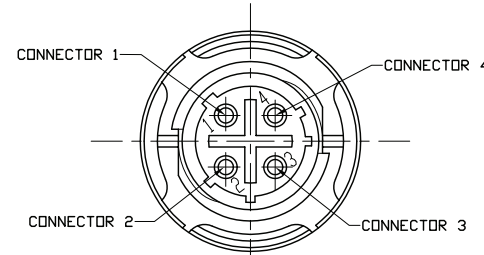


PART No.
814 025 000 2

COMPUTER PRODUCED DRAWING
MUST NOT BE CHANGED MANUALLY



SCALE 2 : 1



SCALE 2 : 1

ASSY NO	LENGTH
814 025 001	1000/900 mm



THIS DRAWING/SPECIFICATION USES
CLASSIFIED CHARACTERISTIC SYMBOLS
DEFINED IN QUALITY PROCEDURE 4.17

ISS	CHANGE	CHEC	DATE	ISS	CHANGE	CHEC	DATE
1	PR1969	PL	05. 10. 09				

AutoCAD PART

THIS DRAWING/DOCUMENT IS
COPYRIGHT AND THE PROPERTY OF
HALDEX BRAKE PRODUCTS LIMITED.
IT MUST NOT BE COPIED (IN WHOLE
OR IN PART) USED FOR MANUFACTURE
OR OTHERWISE DISCLOSED WITHOUT
PRIOR WRITTEN CONSENT OF THE
COMPANY. ANY COPIES OF THIS
DRAWING/DOCUMENT MADE BY ANY
METHOD MUST ALSO INCLUDE A COPY
OF THIS LEGEND.

NOTE: UNLESS OTHERWISE STATED THE FOLLOWING APPLIES
1 ISO METHOD A PROJECTION
2 S. I. UNITS.
3 SURFACE FINISH TO BS 308/BS 1134.
4 DIMS. APPLY AFTER CHEMICAL OR ELECTRO-PLATED FINISH.
5 WELD SYMBOLS TO BS 499.
6 D DATUM DIMENSIONS.
7 METRIC THREADS TO BS 3643/DIN 13.
8 UNIFIED THREADS TO BS 1580.

ASSOCIATED SPECIFICATIONS
-

MATERIAL
-
HEAT TREATMENT
-
FINISH
-
FORM
-

DRAWN	DATE
P Lehel	05. 10. 09
CHECKED	DATE
<i>JPH</i>	18/02/10
APPROVED SPECIALIST	DATE
JPH	18/02/10
APPROVED FOR ISSUE	DATE
JPH	18/02/10

TITLE
INFO CENTRE 2 CABLE ASSEMBLY - SIDE OF VEHICLE
ORIGINAL SCALE
1: 1

Haldex
HALDEX BRAKE PRODUCTS LTD.
MOONS MOAT DRIVE, REDDITCH, WORCS. B98 7HA

PART No.
814 025 000 2

WAS
SHEET 1 OF 1