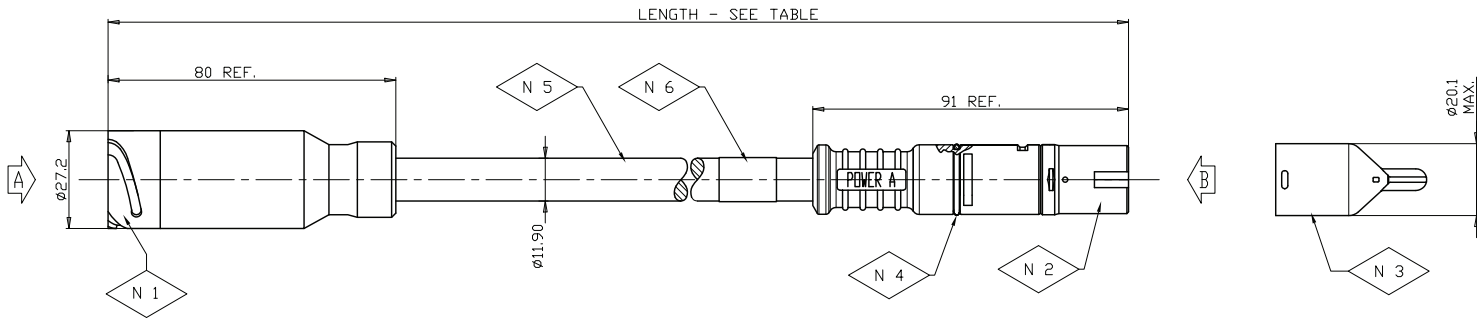
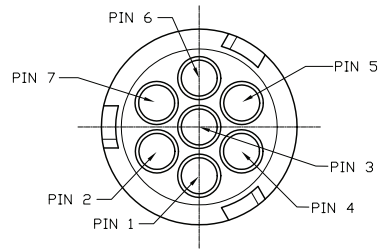


PART No. 814 026 000 2

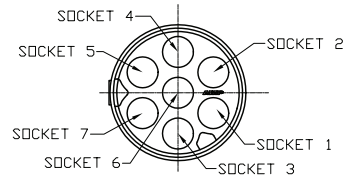
COMPUTER PRODUCED DRAWING
MUST NOT BE CHANGED MANUALLY



VIEW IN DIRECTION
OF ARROW 'A'.
2:1



VIEW IN DIRECTION
OF ARROW 'B'.
2:1



HALDEX ASSY No	HALDEX SUBASSY No	LENGTH	WEIGHT	ISS	DATE
814 026 001	003 9493 09	1.5 m	470 g	1	05.03.10
814 026 011	003 9494 09	4.5 m	1.3 kg	1	05.03.10
814 026 021	003 9495 09	12 m	3.25 kg	1	05.03.10

- N 1 7-POLE, DIN-STYLE BAYDNET CONNECTOR
PIN COLOUR CONFIGURATION:
PIN 1 - B+P
PIN 2 - B+IGN
PIN 3 - B-IGN
PIN 4 - B-
PIN 5 - LAMP
PIN 6 - CAN H
PIN 7 - CAN L
- N 2 POWER A CONNECTOR - BLUE
SOCKET 1 - B+P
SOCKET 2 - B-IGN
SOCKET 3 - CAN L
SOCKET 4 - B+IGN
SOCKET 5 - LAMP
SOCKET 6 - B-
SOCKET 7 - CAN H
- N 3 PROTECTIVE CAP - DO NOT REMOVE UNTIL FITMENT TO ECU.
- N 4 'O'-RING TO BE PROTECTED FROM DAMAGE PRIOR TO ASSEMBLY.
- N 5 CABLE OUTER SHEATH MATERIAL: PVC
- N 6 PART NUMBER IDENTIFICATION.



THIS DRAWING/SPECIFICATION USES
CLASSIFIED CHARACTERISTIC SYMBOLS
DEFINED IN QUALITY PROCEDURE 4.17

ISS	CHANGE	CHEC	DATE	ISS	CHANGE	CHEC	DATE
1	PR2046	PL	05/03/10				

AutoCAD
DRAWING

THIS DRAWING/DOCUMENT IS
COPYRIGHT AND THE PROPERTY OF
HALDEX BRAKE PRODUCTS LIMITED.
IT MUST NOT BE COPIED (IN WHOLE
OR IN PART) USED FOR MANUFACTURE
OR OTHERWISE DISCLOSED WITHOUT
PRIOR WRITTEN CONSENT OF THE
COMPANY. ANY COPIES OF THIS
DRAWING/DOCUMENT MADE BY ANY
METHOD MUST ALSO INCLUDE A COPY
OF THIS LEGEND.

- NOTE: UNLESS OTHERWISE STATED THE FOLLOWING APPLIES
- 1 ISO METHOD A PROJECTION.
 - 2 S.I. UNITS.
 - 3 SURFACE FINISH TO BS 308/BS 1134.
 - 4 DIMS. APPLY AFTER CHEMICAL OR ELECTRO-PLATED FINISH.
 - 5 WELD SYMBOLS TO BS 499.
 - 6 D DATUM DIMENSIONS.
 - 7 METRIC THREADS TO BS 3643/DIN 13.
 - 8 UNIFIED THREADS TO BS 1580.

ASSOCIATED SPECIFICATIONS
GS0082
GS0197

MATERIAL
-
HEAT TREATMENT
-
FINISH
-
FORM
-

DRAWN	DATE
PL	05.03.10
CHECKED	DATE
JPH	05/03/10
APPROVED SPECIALIST	DATE
JPH	05/03/10
APPROVED FOR ISSUE	DATE
JPH	05/03/10

TITLE
ISO POWER A TO DIN-STYLE 7-PIN CABLE-ASSEMBLY
ORIGINAL SCALE
NTS
WAS
SHEET 1 OF 1

Haldex
HALDEX BRAKE PRODUCTS LTD.
MOONS MOAT DRIVE, REDDITCH, WORCS. B98 7HA

PART No. 814 026 000 2