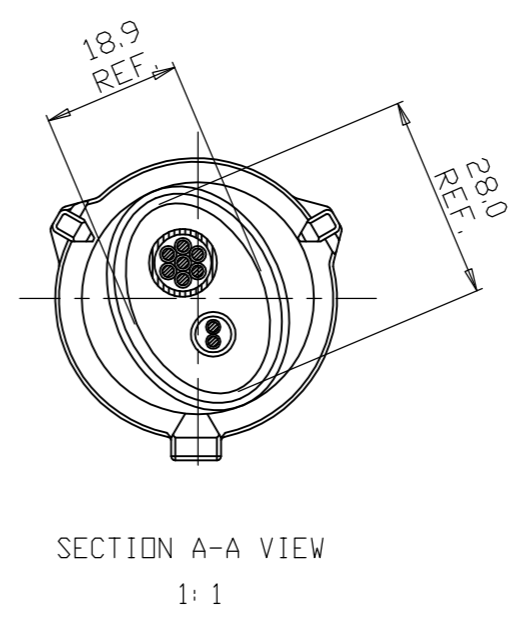
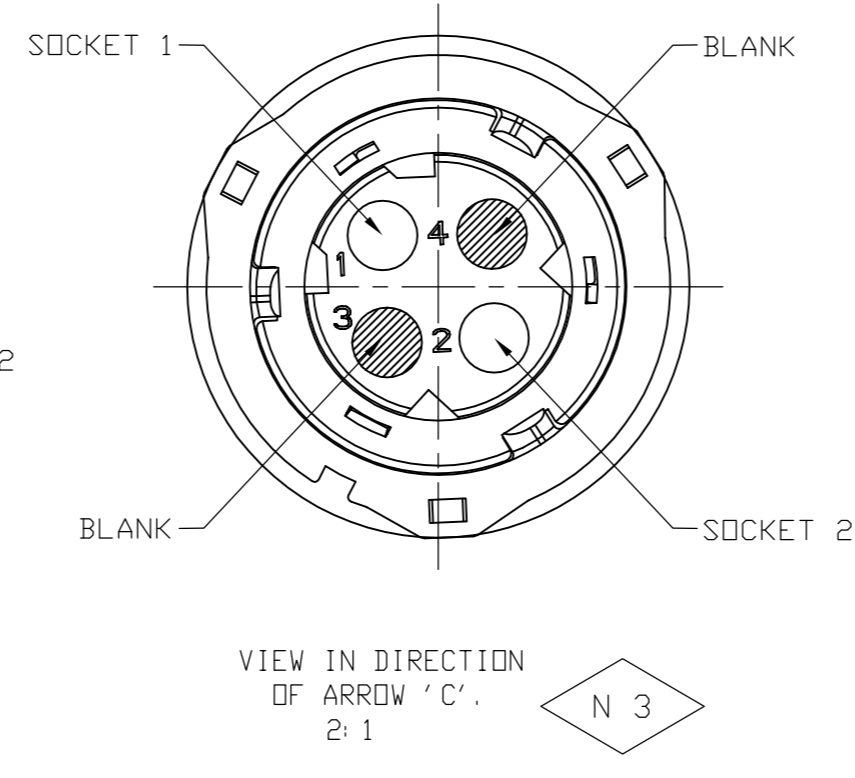
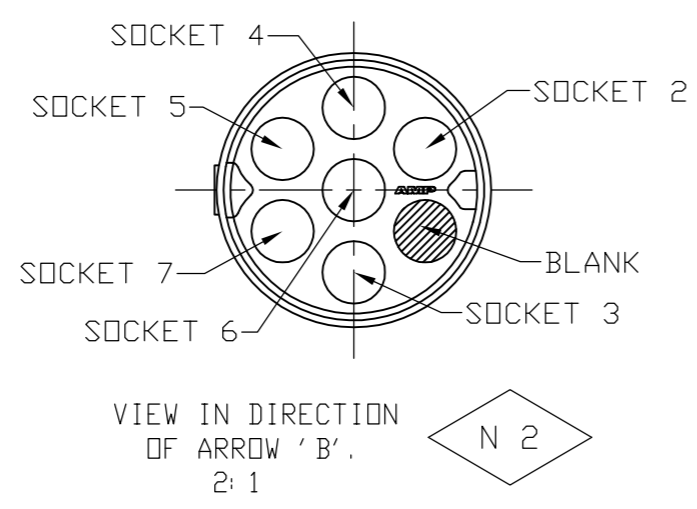
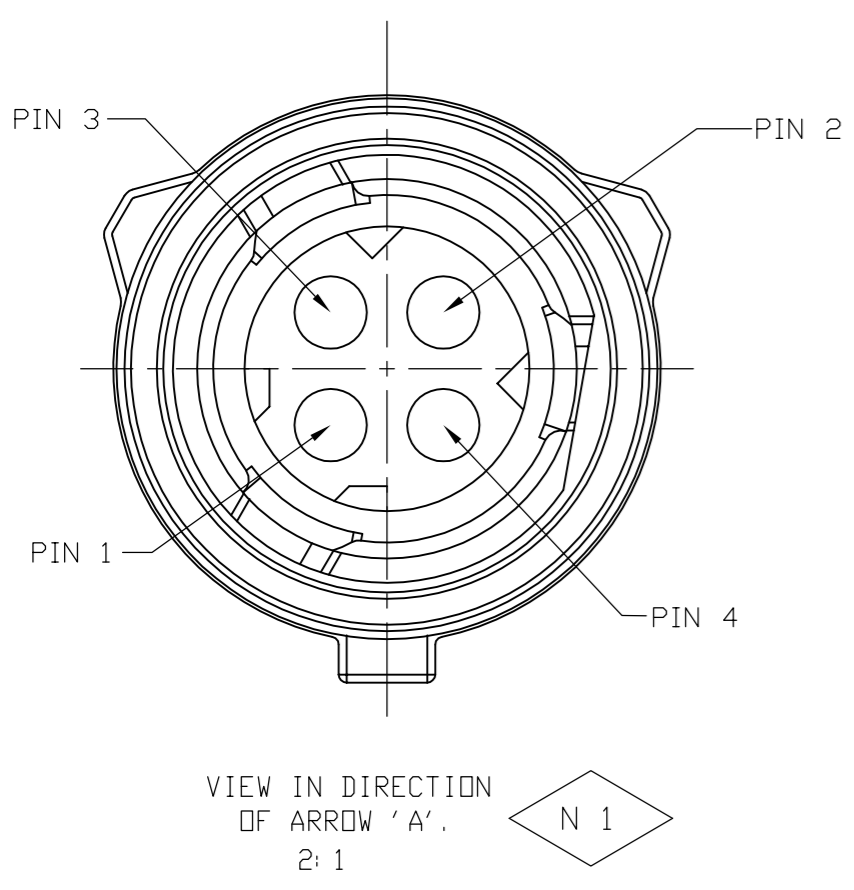
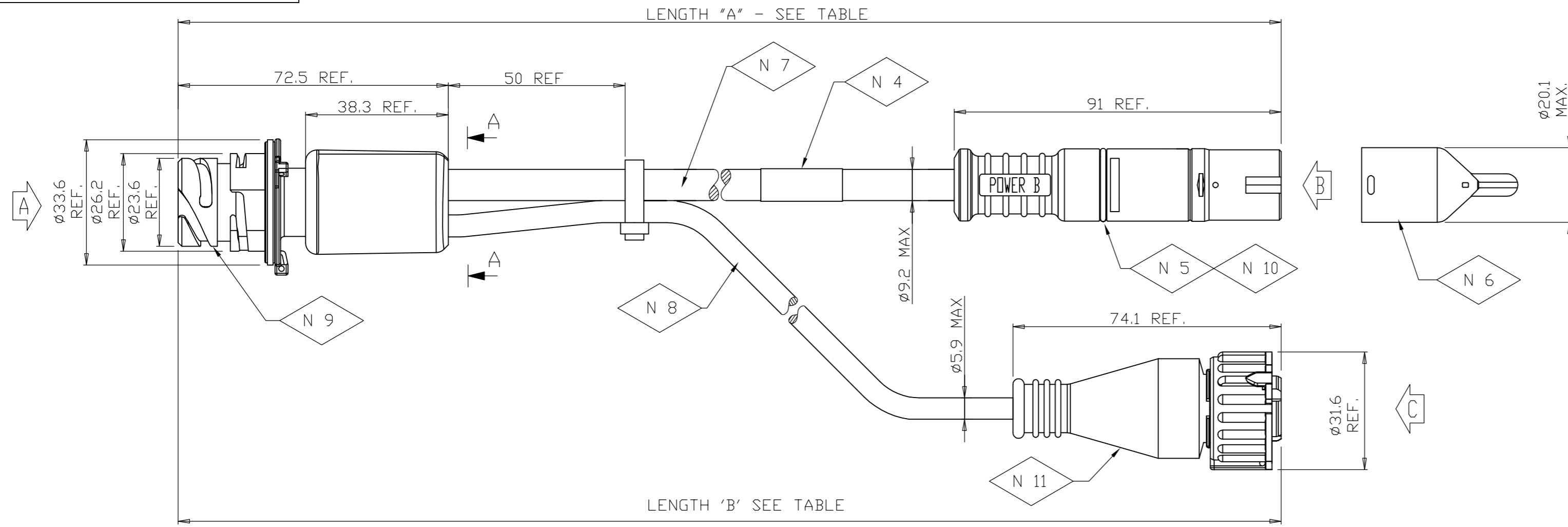


PART No. 814 029 100 2

COMPUTER PRODUCED DRAWING
MUST NOT BE CHANGED MANUALLY



| ASSY No | LENGTH A | LENGTH B |
|-------------|----------|----------|
| 814 029 101 | 6 m | 2 m |

- N 1 ISO 15170 PLUG - PIN CONFIGURATION:
PIN 1 - B+ STOPLIGHT (24N)
PIN 2 - B- (24N)
PIN 3 - SUPER AUX A INPUT
PIN 4 - SUPER AUX B INPUT
- N 2 POWER B - SOCKET CONFIGURATION:
SOCKET 1 - BLANK
SOCKET 2 - B+ STOPLIGHT (24N)
SOCKET 6 - B- (24N)
SOCKET 7 - SUPER AUX A INPUT
SOCKET 5 - SUPER AUX B INPUT
SOCKET 3 - SUPER AUX 24V OUTPUT
SOCKET 4 - SUPER AUX C INPUT
- N 3 ISO 15170 SOCKET - PIN CONFIGURATION:
SOCKET 1 - SUPER AUX C INPUT
SOCKET 2 - SUPER AUX 24V OUTPUT
SOCKET 3 - BLANK
SOCKET 4 - BLANK
- N 4 PART NUMBER IDENTIFICATION.
- N 5 'O'-RING TO BE PROTECTED FROM DAMAGE PRIOR TO INSTALLATION.
- N 6 DO NOT REMOVE PROTECTIVE CAP PRIOR TO ASSEMBLY.
- N 7 WIRE CROSS SECTIONAL AREA = 1.5mm²
CABLE OUTER SHEATH MATERIAL: PVC
- N 8 WIRES CROSS SECTIONAL AREA = 1.0mm²
CABLE OUTER SHEATH MATERIAL: PVC
- N 9 ISO 15170 / DIN 72585 PLUG CONNECTOR
- N 10 POWER B CONNECTOR - BLACK
- N 11 ISO 15170 / DIN 72585 SOCKET CONNECTOR

THIS DRAWING/SPECIFICATION USES
CLASSIFIED CHARACTERISTIC SYMBOLS
DEFINED IN QUALITY PROCEDURE 4.17

| ISS | CHANGE | CHEC | DATE | ISS | CHANGE | CHEC | DATE |
|-----|----------|------|----------|-----|--------|------|------|
| 1 | PR2171_1 | MPH | 16/09/15 | | | | |

THIS DRAWING/DOCUMENT IS
COPYRIGHT AND THE PROPERTY OF
HALDEX BRAKE PRODUCTS LIMITED.
IT MUST NOT BE COPIED (IN WHOLE
OR IN PART) USED FOR MANUFACTURE
OR OTHERWISE DISCLOSED WITHOUT
PRIOR WRITTEN CONSENT OF THE
COMPANY. ANY COPIES OF THIS
DRAWING/DOCUMENT MADE BY ANY
METHOD MUST ALSO INCLUDE A COPY
OF THIS LEGEND. © 2015

NOTE: UNLESS OTHERWISE STATED THE FOLLOWING APPLIES
1 ISO METHOD A PROJECTION.
2 S.I. UNITS.
3 SURFACE FINISH TO BS 308/BS 1134.
4 DIMS. APPLY AFTER CHEMICAL OR ELECTRO-PLATED FINISH.
5 WELD SYMBOLS TO BS 499.
6 D DATUM DIMENSIONS.
7 METRIC THREADS TO BS 3643/DIN 13.
8 UNIFIED THREADS TO BS 1580.

| ASSOCIATED SPECIFICATIONS |
|---------------------------|
| |

| MATERIAL | HEAT TREATMENT | FINISH | FORM |
|----------|----------------|--------|------|
| - | - | - | - |

| DRAWN | DATE |
|---------------------|----------|
| M. HOLDER | 04/08/15 |
| CHECKED | DATE |
| <i>[Signature]</i> | 16/09/15 |
| APPROVED SPECIALIST | DATE |
| <i>[Signature]</i> | 16/09/15 |
| APPROVED FOR ISSUE | DATE |
| <i>[Signature]</i> | 16/09/15 |

TITLE
EB+ POWER B
SUPER AUX SPLITTER
CABLE
ORIGINAL SCALE NTS
WAS
SHEET 1 OF 1

Haldex
HALDEX BRAKE PRODUCTS LTD.
MIRA TECHNOLOGY PARK, LINDLEY, WARKS. CV13 6DE
PART No. 814 029 100 2
A2