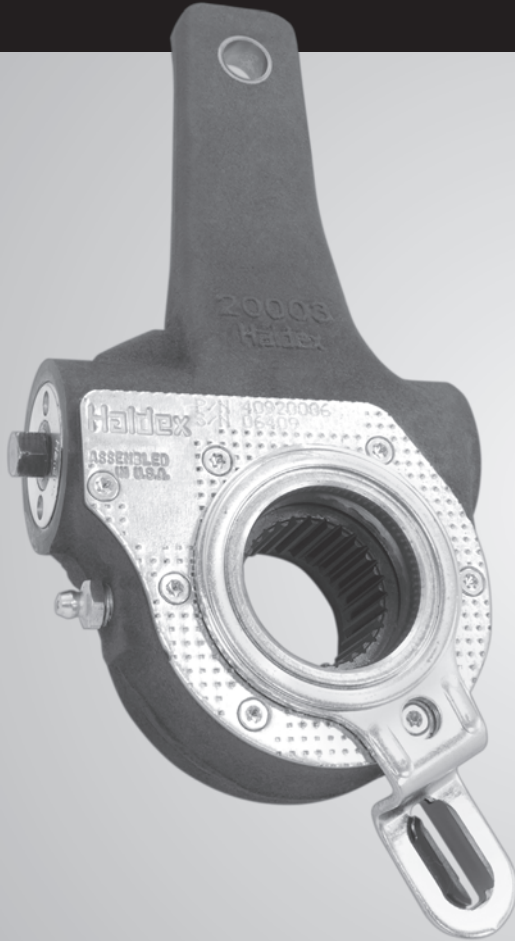


# PARTS/CROSS-REFERENCE INFORMATION



## AA1 and S-ABA Brake Adjusters

**Haldex**

Innovative Vehicle Solutions

## **Important Notice**

The products described within this literature, including without limitation, product features, specifications, designs, availability and pricing are subject to change by Haldex and its subsidiaries at any time without notice.

This document and other information from Haldex, its subsidiaries and authorized distributors provide product and/or system options for further investigation by users having technical expertise. It is important that you analyze all aspects of your application and review the information concerning the product or system, in the current literature or catalog. Due to the variety of operating conditions and applications for these products or systems, the user, through their own analysis and testing, is solely responsible for making the final selection of the products and systems and assuring that all performance, safety and warning requirements are met.

# Table of Contents

	Page
<b>Features</b>	
Haldex ABA (AA1) .....	2
Haldex S-ABA.....	2
<b>Identification</b>	
Selecting Your Haldex ABA .....	3
Haldex ABA (AA1) .....	3
Haldex S-ABA.....	3
<b>Applications</b>	
Steer Axle .....	4
Trailer Axle (12 1/4" Brake Assemblies).....	5
Trailer Axle (16 1/2" Brake Assemblies) .....	5
Drive Axle.....	6
<b>Cross-Reference</b>	
Haldex ABA to Kit Cross-Reference .....	7
<b>Haldex ABA Replacement Parts</b>	
Hardware and Hardware Kits .....	8
Bushings .....	9

Warning: Haldex strongly recommends routine visual checks be performed at EACH maintenance service interval. Foundation brake operational checks utilizing CVSA level 1 applied stroke criteria should always be utilized. Manual adjustment of automatic adjusters can disguise hidden problems within the foundation brake. Brake components such as s-cams, bushings, return springs, actuators, drums and adjuster installation MUST be within manufacturer's specifications. Adjuster control arms, wear bushings or attaching hardware that demonstrate visual damage, or which fail the operational checks, MUST be replaced immediately. Automatic Adjusters should NEVER be operated as manual adjusters except as may be necessary to get the vehicle off the road for service.

If you have any questions on this product or any of the Innovative Products offered by Haldex, contact your local distributor for complete details. Technical Service or Troubleshooting help can be obtained by calling Haldex Technical Services Department at 800-643-2374, OPTION 2.

©2016 All Rights Reserved

Material may only be reproduced with the written permission of Haldex.

## Haldex ABA Features

Haldex automatic brake adjusters cover more applications than any other brand.

Backed by the industry's longest warranty.

Compatible with all major brand clevises.

Reliable "O" rings and gaskets seal out moisture and contaminants.

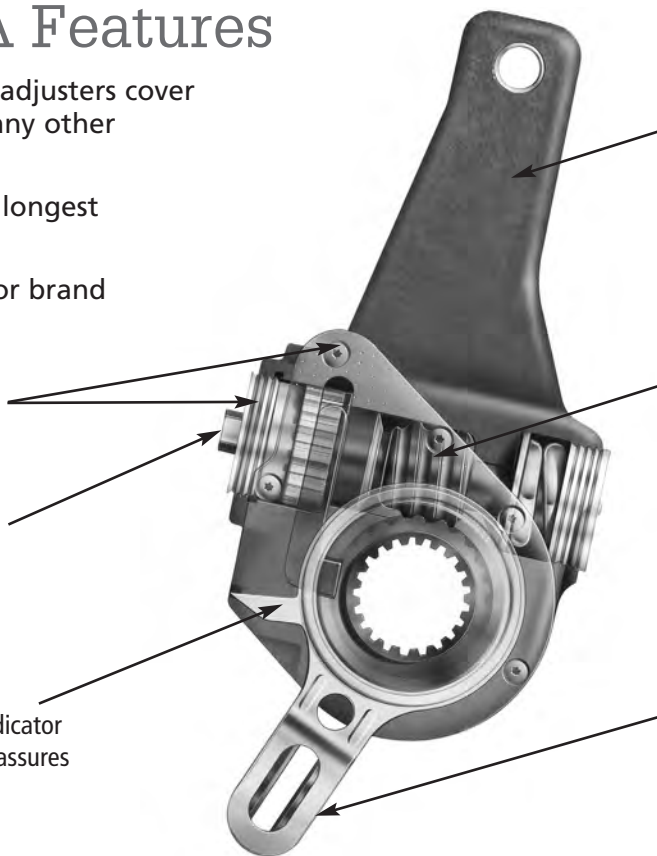
Easily accessible hex nut simplifies adjustment.

Built-in installation indicator eliminates templates, assures proper installation.

Housing is heat treated for wear and corrosion resistance.

Exclusive after-rolled process for the wormshaft increases fatigue strength.

Control arm eliminates linkage concerns and provides greater application flexibility.



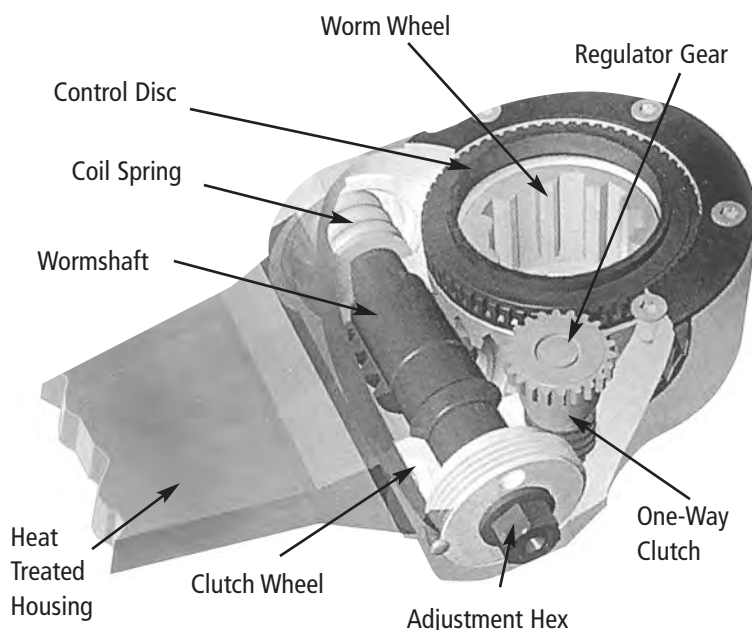
## Haldex S-ABA Features

Self-Setting control arm can be positioned from  $-16^{\circ}$  to  $+130^{\circ}$ .

Reduces the potential for installation errors.

Saves time.

Sensitive adjustment rate provides optimal lining to drum clearance.



# Selecting Your Haldex Automatic Brake Adjuster

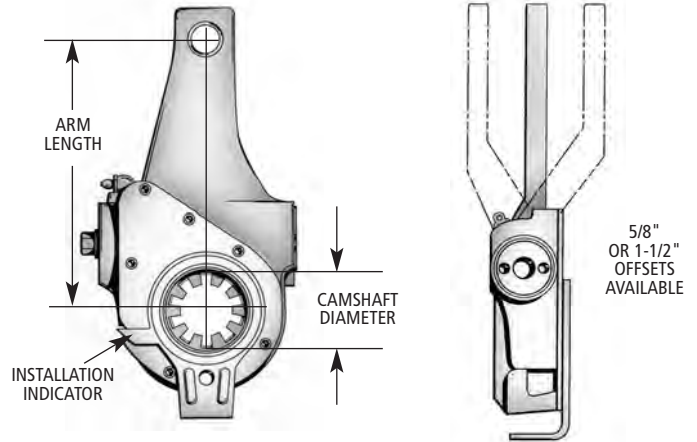
If you currently have a Haldex ABA, refer to the Haldex ABA to Kit Cross-Reference on page 7, otherwise use the following procedures.

**Step 1**  
Determine what axle the adjuster will be used on; see typical applications on the following pages.

**Step 2**  
Determine the camshaft diameter and number of splines.

**Step 3**  
Determine the adjuster arm length.

**Step 4**  
Select the proper kit number. The kit includes: Haldex Automatic Brake Adjuster, anchor bracket, anti-seize lubricant and installation instructions.



## Haldex ABA (AA1) Identification

**Part Number:**

409-10\_\_ = Reduced maintenance adjuster  
429-10\_\_ = No-Lube adjuster

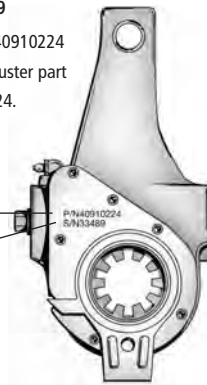
**Serial Number:**

First 3 digits = Day of year built  
Last 2 digits = Year of build

**After Sept. 1989**

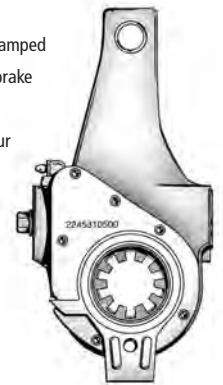
The Part No. P/N40910224 would be our adjuster part number 409-10224.

Part Number  
P/N40910224  
Serial Number  
S/N33489



**Prior to Sept. 1989**

The first three numbers stamped on the cover plate is the brake adjuster part number. For example: 224 would be our adjuster part number 409-10224.



## Haldex S-ABA Identification

**Part Number:**

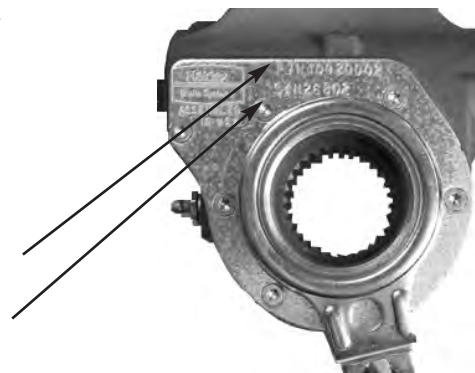
409-20\_\_ = S-ABA Brake Adjuster

**Serial Number:**

First 3 digits = Day of year built  
Last 2 digits = Year of build

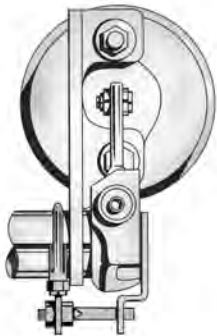
The Part Number P/N40920002 would be our adjuster part number 409-20002.

Part Number  
P/N40920002  
Serial Number  
S/N26802

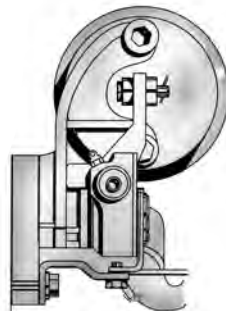


# Steer Axle Applications

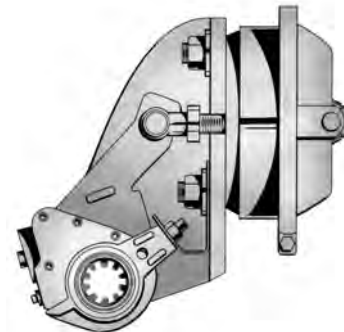
Spline	Offset	Arm Length	Kit Number	Type	Anchor Bracket Style (See illustrations below)
<b>Standard Applications</b>					
1-1/4-10	—	5-1/2"	400-10001	ABA (AA1)	Clamp
1-1/4-10	—	5-1/2"	400-10072	ABA (AA1)	Strap
1-1/4-10	—	5-1/2"	400-20235	S-ABA	Strap
1-1/4-10	5/8" RH	5-1/2"	400-10002	ABA (AA1)	Clamp
1-1/4-10	5/8" LH	5-1/2"	400-10003	ABA (AA1)	Clamp
1-1/4-24	—	5-1/2"	400-10004	ABA (AA1)	Clamp
1-1/4-24	—	5-1/2"	400-10073	ABA (AA1)	Strap
1-1/4-24	5/8" RH	5-1/2"	400-10040	ABA (AA1)	Clamp
1-1/4-24	5/8" LH	5-1/2"	400-10041	ABA (AA1)	Clamp
1-1/2-10	—	5-1/2"	400-10005	ABA (AA1)	Clamp
1-1/2-10	—	5-1/2"	400-10071	ABA (AA1)	Strap
1-1/2-10	—	5-1/2"	400-20236	S-ABA	Strap
1-1/2-28	—	5-1/2"	400-10008	ABA (AA1)	Clamp
1-1/2-28	—	5-1/2"	400-20241	S-ABA	Clamp
1-1/2-28	—	5-1/2"	400-10070	ABA (AA1)	Strap
<b>Rockwell Air Disc Brake</b>					
1-1/2-28	—	5-1/2"	400-10402	ABA (AA1)	Strap
<b>Mack 16,000# and greater</b>					
1-1/2-28	1-1/2" RH	5-1/2"	400-10009	ABA (AA1)	Spider Mounted
1-1/2-28	1-1/2" LH	5-1/2"	400-10010	ABA (AA1)	Spider Mounted



Steer axle with clamp bracket



Mack 16,000# or higher rated steer axles with spider mounted bracket



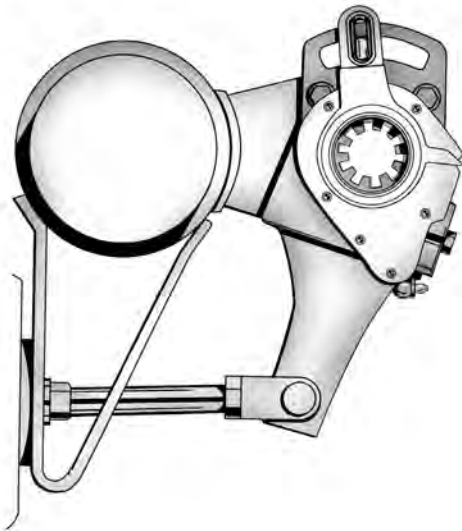
Steer axle with strap bracket

## Trailer Axle Applications (for 12-1/4" Brake Assemblies)



Spline	Arm Length	Kit Number	Type	Anchor Bracket Style (See illustration at left)
1-1/2-10	6"	400-10306	ABA (AA1)	Plate & Flat Stud
1-1/2-10	6"	400-20306	S-ABA	Plate & Flat Stud
1-1/2-28	5-1/2"	400-10304	ABA (AA1)	Plate & Flat Stud
1-1/2-28	5-1/2"	400-20304	S-ABA	Plate & Flat Stud
1-1/2-28	6"	400-10305	ABA (AA1)	Plate & Flat Stud
1-1/2-28	6"	400-20305	S-ABA	Plate & Flat Stud
1-5/8-37	6"	400-10307	ABA (AA1)	Plate & Flat Stud

## Trailer Axle Applications (for 16-1/2" Brake Assemblies)



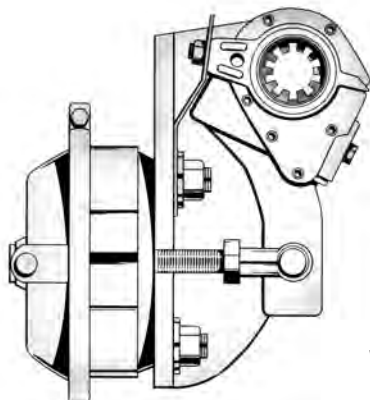
Spline	Arm Length	Kit Number	Type	Anchor Bracket Style (See illustration at left)
1-1/2-10	5-1/2"	400-10215	ABA (AA1)	Plate & Flat Stud
1-1/2-10	5-1/2"	400-20215	S-ABA	Plate & Flat Stud
1-1/2-10	6"	400-10216	ABA (AA1)	Plate & Flat Stud
1-1/2-10	6"	400-20216	S-ABA	Plate & Flat Stud
1-1/2-28	5-1/2"	400-10211	ABA (AA1)	Plate & Flat Stud
1-1/2-28	5-1/2"	400-20211	S-ABA	Plate & Flat Stud
1-1/2-28	6"	400-10212	ABA (AA1)	Plate & Flat Stud
1-1/2-28	6"	400-20212	S-ABA	Plate & Flat Stud
1-5/8-37	5-1/2"	400-10213	ABA (AA1)	Plate & Flat Stud
1-5/8-37	5-1/2"	400-20213	S-ABA	Plate & Flat Stud
1-5/8-37	6"	400-10214	ABA (AA1)	Plate & Flat Stud
1-5/8-37	6"	400-20214	S-ABA	Plate & Flat Stud



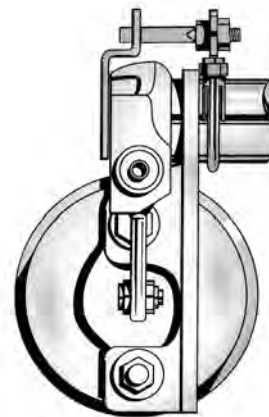
# Drive Axle Applications

Spline	Arm Length	Kit Number	Type	Anchor Bracket Style (See illustrations below)
<b>Standard Applications</b>				
1-1/2-10	5", 6"	400-10142	ABA (AA1)	Strap
1-1/2-10	5-1/2"	400-20239	S-ABA	Strap
1-1/2-10	5-1/2", 6-1/2"	400-10143	ABA (AA1)	Strap
1-1/2-28	5", 6"	400-10140	ABA (AA1)	Strap
1-1/2-28	5-1/2"	400-10141	ABA (AA1)	Strap
1-1/2-28	5-1/2"	400-20240	S-ABA	Strap
<b>Rockwell Air Disc Brake</b>				
1-1/2-28	5-1/2"	400-10402	ABA (AA1)	Strap
<b>Mack Truck Applications*</b>				
1-1/2-10	6"	400-10145	ABA (AA1)	Clamp
1-1/2-10	6"	400-20244	S-ABA	Clamp
1-1/2-28	5", 6"	400-10067**	ABA (AA1)	Spider Mounted
1-1/2-28	5-1/2"	400-20242	S-ABA	Clamp
1-1/2-28	5-1/2"-6-1/2"	400-10146	ABA (AA1)	Clamp
1-1/2-28	6"	400-10144	ABA (AA1)	Clamp
1-1/2-28	6"	400-20243	S-ABA	Clamp
<b>Kenworth with 8 Bag Air Ride Applications</b>				
1-1/2-10	5-1/2"	400-10155***	ABA (AA1)	Strap
1-1/2-10	5-1/2"	400-20236	S-ABA	Strap
1-1/2-28	5-1/2"	400-10156***	ABA (AA1)	Strap

\* With 3" and longer camshaft tubes.  
 \*\* For short camshaft tube Mack, 2" or less.  
 \*\*\* To avoid interference with air bag supports.



Drive axle with strap bracket



Mack drive axle with clamp bracket and flat stud



# Haldex ABA to Kit Cross-Reference

Reference the O.E. part number that is stamped into the ABA side cover to the 400 series replacement service number below.

Use the 400 service replacement ABA kits for all aftermarket requirements. 400 series kits include new hardware and may update the ABA design.

Multiple O.E listings indicate variations by bracket kit. See bracket kit section to assure service replacement kit number.

Note: 300 & 419 series ABA's are transit/coach applications and are not included in this catalog. Contact Haldex Customer Service at 800-643-2374 for numbers not listed.




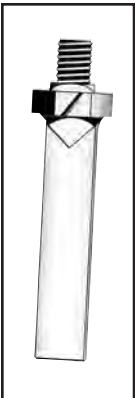
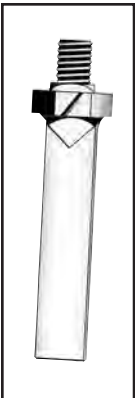

O.E. PART NO.	SERVICE PART NO.	O.E. PART NO.	SERVICE PART NO.	O.E. PART NO.	SERVICE PART NO.	O.E. PART NO.	SERVICE PART NO.
409-10011	40010145	409-10249	40010003	409-10466	40010156	409-10664	40010041
409-10051	40010145	409-10250	40010002	409-10471	40010211	409-10665	40010040
409-10070	40010144	409-10255	40010013	409-10472	40010212	409-10673	40010212
409-10075	40010208	409-10257	40010005	409-10473	40010213	409-10674	40010214
409-10085	40010155	409-10258	40010008	409-10474	40010214	409-10675	40010216
409-10086	40010207	409-10263	40010006	409-10475	40010215	409-10678	40010144
409-10091	40010146	409-10264	40010007	409-10476	40010216	409-10679	40010146
409-10093	40010140	409-10265	40010048	409-10490	40010304	409-10680	40010145
409-10094	40010156	409-10266	40010049	409-10491	40010305	409-10682	40010146
409-10099	40010208	409-10279	40010306	409-10492	40010306	409-10683	40010211
409-10101	40010155	409-10282	40010304	409-10493	40010307	409-10684	40010213
409-10102	40010142	409-10287	40010145	409-10495	40010001	409-10685	40010215
409-10108	40010005	409-10288	40010144	409-10496	40010004	409-10687	40010227
409-10110	40010303	409-10294	40010155	409-10497	40010003	409-10731	40010142
409-10111	40010302	409-10298	40010054	409-10498	40010002	409-10732	40010140
409-10111	40010306	409-10298	40010055	409-10499	40010005	409-10733	40010143
409-10112	40010007	409-10299	40010056	409-10502	40010008	409-10741	40010142
409-10113	40010006	409-10299	40010057	409-10526	40010227	409-10742	40010140
409-10114	40010003	409-10304	40010009	409-10530	40010141	409-10747	40010157
409-10115	40010002	409-10305	40010010	409-10531	40010140	409-10748	40010158
409-10124	40010145	409-10310	40010403	409-10532	40010141	409-10759	40010070
409-10125	40010140	409-10311	40010404	409-10533	40010142	409-10760	40010071
409-10126	40010156	409-10312	40010156	409-10535	40010041	409-10761	40010072
409-10128	40010001	409-10314	40010140	409-10536	40010040	409-10762	40010073
409-10130	40010142	409-10315	40010142	409-10548	40010143	409-10767	40010300
409-10134	40010143	409-10318	40010306	409-10551	40010141	409-10774	40010006
409-10135	40010143	409-10319	40010004	409-10552	40010140	409-10775	40010007
409-10146	40010067	409-10325	40010003	409-10553	40010141	409-10808	40010078
409-10146	40010144	409-10326	40010002	409-10561	40010140	409-10821	40010168
409-10147	40010057	409-10334	40010041	409-10564	40010142	409-20000	40020215
409-10148	40010055	409-10335	40010040	409-10565	40010143	409-20002	40020211
409-10149	40010040	409-10351	40010205	409-10566	40010140	409-20004	40020216
409-10150	40010041	409-10352	40010212	409-10579	40010144	409-20006	40020212
409-10151	40010305	409-10360	40010140	409-10580	40010146	409-20024	40020213
409-10163	40010013	409-10361	40010073	409-10581	40010145	409-20025	40020214
409-10164	40010010	409-10362	40010156	409-10584	40010402	429-10649	40010157
409-10165	40010009	409-10363	40010304	409-10587	40010161	429-10650	40010158
409-10168	40010008	409-10364	40010004	409-10588	40010162	429-10655	40010305
409-10172	40010013	409-10365	40010206	409-10599	40010009	429-10656	40010306
409-10174	40010156	409-10365	40010216	409-10600	40010010	429-10673	40010212
409-10176	40010010	409-10370	40010155	409-10601	40010054	429-10674	40010214
409-10177	40010009	409-10384	40010008	409-10601	40010055	429-10675	40010216
409-10178	40010140	409-10385	40010052	409-10602	40010056	429-10683	40010211
409-10211	40010306	409-10386	40010211	409-10602	40010057	429-10684	40010213
409-10215	40010141	409-10387	40010121	409-10605	40010071	429-10685	40010215
409-10218	40010214	409-10390	40010141	409-10606	40010065	429-10759	40010070
409-10222	40010156	409-10391	40010001	409-10612	40010048	429-10760	40010071
409-10223	40010155	409-10392	40010206	409-10613	40010049	429-10761	40010072
409-10224	40010001	409-10392	40010216	409-10615	40010140	429-10762	40010073
409-10225	40010140	409-10394	40010215	409-10626	40010142		
409-10226	40010142	409-10396	40010200	409-10627	40010143		
409-10227	40010137	409-10398	40010211	409-10628	40010141		
409-10228	40010008	409-10404	40010140	409-10635	40010155		
409-10229	40010141	409-10405	40010140	409-10637	40010008		
409-10230	40010206	409-10406	40010141	409-10638	40010068		
409-10230	40010216	409-10408	40010141	409-10639	40010069		
409-10231	40010206	409-10410	40010142	409-10648	40010156		
409-10231	40010216	409-10416	40010156	409-10649	40010143		
409-10232	40010215	409-10417	40010155	409-10650	40010141		
409-10233	40010215	409-10418	40010306	409-10654	40010304		
409-10234	40010212	409-10426	40010140	409-10655	40010305		
409-10235	40010212	409-10429	40010141	409-10656	40010306		
409-10236	40010211	409-10430	40010211	409-10657	40010307		
409-10237	40010211	409-10442	40010145	409-10658	40010001		
409-10238	40010143	409-10443	40010144	409-10659	40010004		
409-10239	40010142	409-10444	40010146	409-10660	40010003		
409-10240	40010141	409-10457	40010140	409-10661	40010002		
409-10241	40010140	409-10458	40010142	409-10662	40010005		
409-10247	40010216	409-10465	40010053	409-10663	40010008		

Note: The Haldex Automatic Brake Adjuster supplied in the Replacement Kit may differ in appearance from the one originally installed on the vehicle. All Haldex Replacement Kits are engineered to provide the same fit and function as original equipment as long as both the adjuster and bracket supplied in the kit are replaced together.

If your part number is not listed here, contact Haldex at 1-800-643-2374. Or visit our website: [www.haldex.com](http://www.haldex.com)

# Haldex ABA Replacement Parts

## Hardware and Hardware Kits

Part Description	Part Number	Application Information	
	Long Anchor Screw	443-10188	15/16" long used with Slide Nut 443-10101
	Slide Nut	443-10101	Used with Anchor Bracket 427-10497, 427-10155, 427-10457, 427-10548
	Short Anchor Screw	443-10096	3/4" long used when Anchor Bracket is threaded without Slide Nut
	Double Bend Flat Stud Kit (Trailers)	427-10558	Includes four each: Plastic Bushing, Anchor Stud, Nut and Installation Instructions to update from Round Pin to Flat Stud
	Double Bend Flat Stud (Universal)	443-10318	Included in kits: 427-10565, 427-10566 and 427-10567, 427-10561, 427-10563
	Serrated Hex Nut	443-10204	Nut (only) for Double Bend Flat Stud

# Haldex ABA Replacement Parts

## Bushings

	Part Description	Part Number	Application Information
	Plastic Bushing (Black Oval)	452-10126	Single Bend Control Lever Replacement Bushing
	Plastic Bushing (Black Rectangle)	452-10125	Double Bend Control Lever Replacement Bushing
	Clevis Bushing 1/2"	452-10058	Also Used As An Insert To Convert 5/8" to 1/2"
	Clevis Bushing 5/8"	452-10128	—



Haldex develops and provides reliable and innovative solutions with focus on brake and air suspension products to the global commercial vehicle industry.  
Listed on the Stockholm Stock Exchange, Haldex has annual sales of approximately 4.4 billion SEK and employs about 2,235 people.

**Disclaimer:** The products described within this literature, including without limitation, product features, specifications, designs, availability and pricing are subject to change by Haldex and its subsidiaries at any time without notice.

This document and other information from Haldex, its subsidiaries and authorized distributors provide product and/or system options for further investigation by users having technical expertise. It is important that you analyze all aspects of your application and review the information concerning the product or system, in the current literature or catalog. Due to the variety of operating conditions and applications for these products or systems, the user, through their own analysis and testing, is solely responsible for making the final selection of the products and systems and assuring that all performance, safety and warning requirements are met.

©2016, Haldex AB - This material may contain Haldex trademarks and third party trademarks, trade names, corporate logos, graphics and emblems which are the property of their respective companies. The contents of this document may not be copied, distributed, adapted or displayed for commercial purposes or otherwise without prior written consent from Haldex.

**Austria**  
Haldex Wien Ges.m.b.H.  
Vienna  
Tel.: +43 1 8 69 27 97  
Fax: +43 1 8 69 27 97 27  
E-Mail: info.at@haldex.com

**Belgium**  
Haldex N.V.  
Balegem  
Tel.: +32 9 363 90 00  
Fax: +32 9 363 90 09  
E-Mail: info.be@haldex.com

**Brazil**  
Haldex do Brasil Ind. E Com. Ltda.  
São José dos Campos  
Tel.: +55 12 3935 4000  
Fax: +55 12 3935 4018  
E-Mail: info.brasil@haldex.com

**Canada**  
Haldex Ltd.  
Cambridge, Ontario  
Tel.: +1 519 621 6722  
Fax: +1 519 621 3924  
E-Mail: info.ca@haldex.com

**China**  
Haldex Vehicle Products Co. Ltd.  
Suzhou  
Tel.: +86 512 8885 5301  
Fax: +86 512 8765 6066  
E-Mail: info.cn@haldex.com

**France**  
Haldex Europe SAS  
Weyersheim  
Tel.: +33 3 88 68 22 00  
Fax: +33 3 88 68 22 09  
E-Mail: info.eur@haldex.com

**Germany**  
Haldex Brake Products GmbH  
Heidelberg  
Tel.: +49 6 221 7030  
Fax: +49 6 221 703400  
E-Mail: info.de@haldex.com

**Hungary**  
Haldex Hungary Kft.  
Szentlőrincváta  
Tel.: +36 29 631 400  
Fax: +36 29 631 401  
E-Mail: info.hu.eu@haldex.com

**India**  
Haldex India Limited  
Nasik  
Tel.: +91 253 6699501  
Fax: +91 253 2380729

**Italy**  
Haldex Italia Srl.  
Biassono  
Tel.: +39 039 47 17 02  
Fax: +39 039 27 54 309  
E-Mail: info.it@haldex.com

**Korea**  
Haldex Korea Ltd.  
Seoul  
Tel.: +82 2 2636 7545  
Fax: +82 2 2636 7548  
E-Mail: info.hkr@haldex.com

**Mexico**  
Haldex de Mexico S.A. De C.V.  
Monterrey  
Tel.: +52 81 8156 9500  
Fax: +52 81 8313 7090

**Poland**  
Haldex Sp. z.o.o.  
Praszka  
Tel.: +48 34 350 11 00  
Fax: +48 34 350 11 11  
E-Mail: info.pl@haldex.com

**Russia**  
OOO "Haldex RUS"  
Moscow  
Tel.: +7 495 747 59 56  
Fax: +7 495 786 39 70  
E-Mail: info.ru@haldex.com

**Spain**  
Haldex España S.A.  
Granollers  
Tel.: +34 93 84 07 239  
Fax: +34 93 84 91 218  
E-Mail: info.es@haldex.com

**Sweden**  
Haldex Brake Products AB  
Landskrona  
Tel.: +46 418 47 60 00  
Fax: +46 418 47 60 01  
E-Mail: info.se@haldex.com

**United Kingdom**  
Haldex Ltd.  
Newton Aycliffe  
Tel.: +44 1325 310 110  
Fax: +44 1325 311 834  
E-Mail: info.gb@haldex.com

Haldex Brake Products Ltd.  
MIRA Technology Park  
Tel.: +44 2476 400 300  
Fax: +44 2476 400 301  
E-Mail: info.gbre@haldex.com

**USA**  
Haldex Brake Products Corp.  
Kansas City  
Tel.: +1 816 891 2470  
Fax: +1 816 891 9447  
E-Mail: info.us@haldex.com



www.haldex.com

Innovative Vehicle Solutions