



In a choice between quality and price,

Specify value.



GoldSeal by Haldex.

Low operating costs, durable performance and reliability deliver value that lasts.

As an industry pioneer, Haldex sets the benchmark in brake actuator design and manufacturing. We offer a complete selection of actuators and parts to meet OEM or replacement needs in commercial or transit vehicle applications.

Our GoldSeal line includes a large selection of popular stroke lengths. See listing on back cover for product numbers and information.

Engineered smart.

Haldex engineers all our actuators to strict quality and performance standards. Custom components – like our patented, heat-treated Power Spring that maximizes output force and resists corrosion – extend the life of the unit for greater savings.

Built tough.

Our manufacturing facilities are ISO and TS certified. These disciplines ensure each actuator exceeds your expectations. Competitors may look similar but lack many of the design enhancements and corrosion protection features of Haldex GoldSeal.



Guaranteed value.

Haldex GoldSeal actuators come with a standard four-year, unlimited mileage warranty. See your warranty policy for details.

Value requires vigilance.

To ensure reliability and component integrity, Haldex actuators are tested at our in-house laboratory on the following criteria:

■ Tested to SAE J1469 standards – “Air Brake Actuator Test Procedure, Truck-Tractor, Bus and Trailer”

- 100% leak-tested
- Heat tested to over 158°F (70°C)
- Cold tested to -40°F (-40°C).
- Each model has been pressure tested to over 300 psi
- Vibration tested to OEM engineering specifications
- Date-stamped for traceability

Specify value.

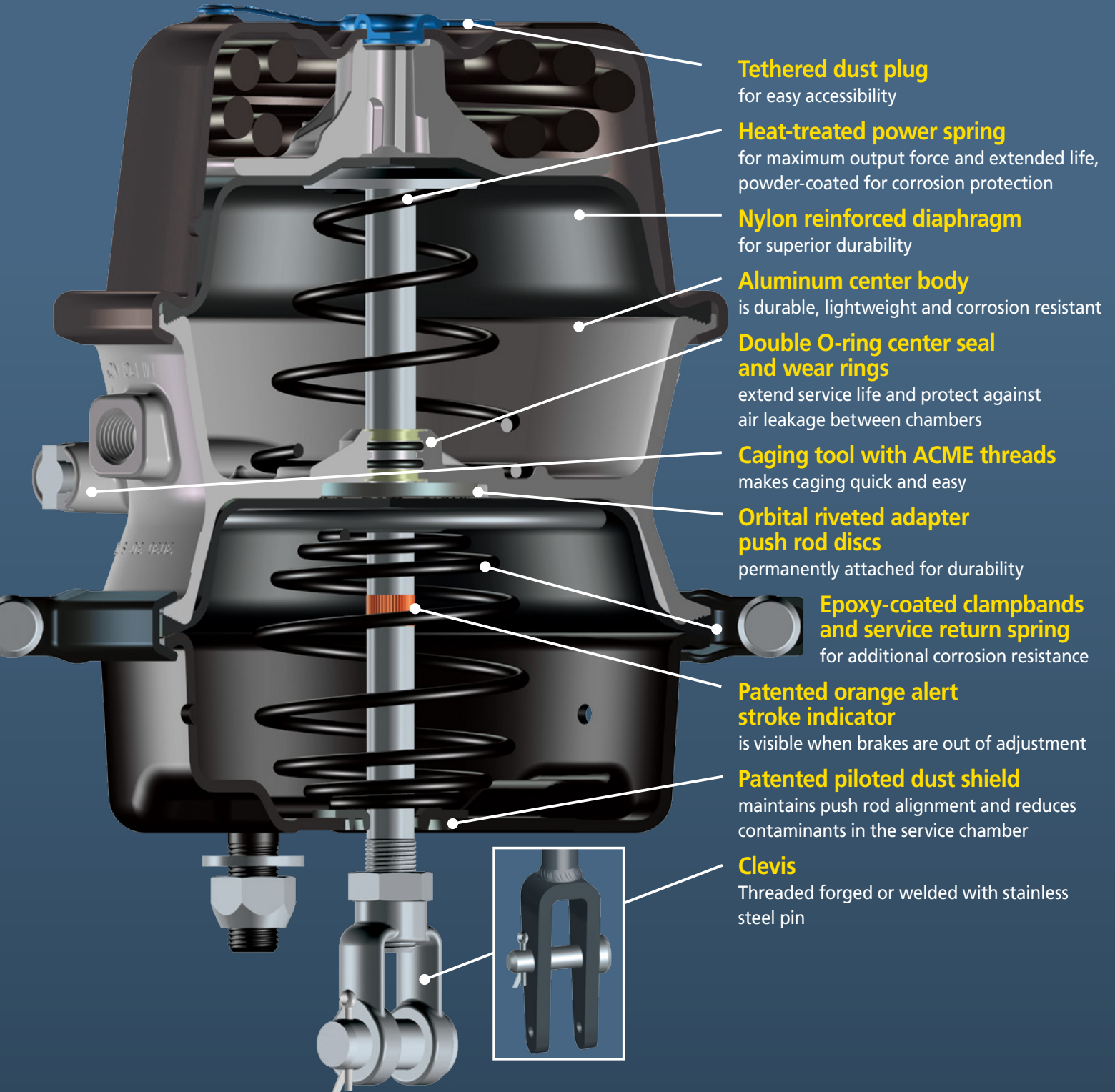
Engineering, quality components and a company that stands behind its products add up to lower operating costs, high reliability and value that lasts. Specify genuine Haldex actuators and parts.



haldex.com

Greater value, sealed in.

Haldex GoldSeal Features and Benefits:



GoldSeal™ Standard 4-Year Warranty

Spring Brake size and stroke	Part#	Clevis	Pushrod length from face of service housing	Distance to Clevis Pin centerline from face of service housing	Housing	Power Spring
1624 2.25"	GP1624			Piggyback		Standard
2024 2.25"	GP2024			Piggyback		Standard
	GC2024	Threaded	10.00"	n/a	Standard	Standard
2030 3.0"	GC2030XL	Threaded	10.00"	n/a	Standard	Standard
	GC2030XLCW	Welded	n/a	2.25"	Standard	Standard
2424 2.25"	GP2424			Piggyback		Standard
	GC2424	Threaded	9.65"	n/a	Standard	Standard
2424 2.5"	GP2424L			Piggyback		Standard
	GC2424L	Threaded	10.00"	n/a	Standard	Standard
2430 2.5"	GP2430L			Piggyback		Standard
	GC2430L	Threaded	10.00"	n/a	Standard	Standard
	GP2430XL			Piggyback		Standard
2430 3.0"	GC2430XL	Threaded	10.00"	n/a	Standard	Standard
	GC2430XLCW	Welded	n/a	2.25"	Standard	Standard
	GP3030			Piggyback		Standard
	GP3030K			Piggyback w/bolted clamband and diaphragm		Standard
	GC3030	Threaded	10.00"	n/a	Standard	Standard
	GC3030HD	Threaded	10.00"	n/a	Heavy Duty	Standard
	GC3030R	Threaded	14.00"	n/a	Standard	Standard
	GC3030S1	Threaded	1.80"	n/a	Standard	Standard
	GC3030S2	Threaded	5.70"	n/a	Standard	Standard
	GC3030S3	Threaded	1.80"	n/a	Standard	Standard
	GC3030S4	No	9.90"	n/a	Standard	Standard
	GC3030S5	No	5.90"	n/a	Standard	Standard
	GC3030Q*	No	16.80"	n/a	Standard	Standard
	GC3030S7CW	Welded	n/a	4.20"	Standard	Standard
	GC3030CW	Welded	n/a	2.25"	Heavy Duty	Standard
	GC3030S4CW	Welded	n/a	11.00"	Heavy Duty	Standard
	GC3030S5CW	Welded	n/a	6.80"	Heavy Duty	Standard
	GC3030S6CW	Welded	n/a	2.87"	Heavy Duty	High Output
	GP3030L			Piggyback		Standard
	GP3030LHO			Piggyback		High Output
	GP3030LK			Piggyback w/bolted clamband and diaphragm		Standard
	GC3030L	Threaded	10.00"	n/a	Standard	Standard
	GC3030LR	Threaded	14.00"	n/a	Standard	Standard
	GC3030LS4	No	9.90"	n/a	Standard	Standard
3030 3.0"	GC3030LHD	Threaded	10.00"	n/a	Heavy Duty	High Output
	GC3030LQ*	No	16.80"	n/a	Heavy Duty	Standard
	GC3030LCW	Welded	n/a	2.25"	Heavy Duty	Standard
	GC3030LS4CW	Welded	n/a	11.00"	Heavy Duty	Standard
	GC3030LS5CW	Welded	n/a	6.80"	Heavy Duty	Standard
	GC3030LS6CW	Welded	n/a	2.87"	Standard	High Output
	GC3030LS7CW	Welded	n/a	4.20"	Standard	Standard
3036 2.5"	GC3036	Threaded	10.00"	n/a	Heavy Duty	Standard
	GC3036CW	Welded	n/a	2.25"	Heavy Duty	Standard
	GC3036Q*	No	16.80"	n/a	Heavy Duty	Standard
3036 3.0"	GC3036L	Threaded	10.00"	n/a	Heavy Duty	Standard
	GC3036LCW	Welded	n/a	2.25"	Heavy Duty	Standard
3636 2.5"	GP3636			Piggyback		Standard
3636 3.0"	GP3636L			Piggyback		Standard
	GC3636	Threaded	9.00"	n/a	Heavy Duty	Standard
3636 3.0"	GC3636CW	Welded	n/a	2.25"	Heavy Duty	Standard
	GC3636Q*	No	9.00"	n/a	Heavy Duty	Standard
Disc Brake Offerings	GC1824D	GC2024D	GC2030D	GC2430D		

*3/4 Pushrod Thread (standard 5/8)

To learn more, contact your Haldex sales professional.

United States 816-891-2470
Canada 519-621-6722
Mexico 52-81-81569500

For additional contact information
or to learn more about Haldex,
please visit Haldex.com

L20752
US 9/17 2.5M ALP
Printed In The USA