

ADJUSTMENT PROCEDURE FOR 14" and 15 1/2" ANGLE SPRING 2-PLATE CLUTCHES (MANUAL CLUTCHES)

Step 1: Establish Bearing Position

Set the distance between the bearing and the clutch brake between .500" and .562" (1/2" and 9/16"). See **Figure 1**

In order to move the bearing, you must rotate the adjusting ring inside the clutch cover. Light pressure applied to the clutch linkage will insure that the release bearing is stretched to provide the most accurate reading. See **Figure 2**

Important: The release bearing must move a minimum of .500" (1/2") to achieve "full clutch release".

Figure 1

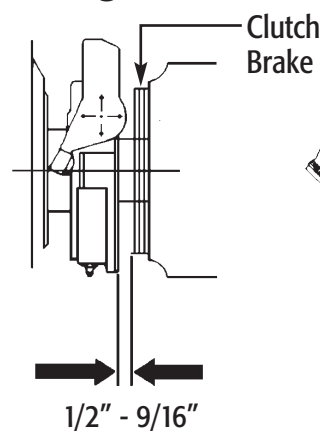
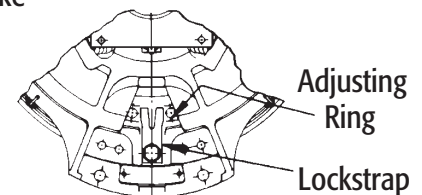


Figure 2

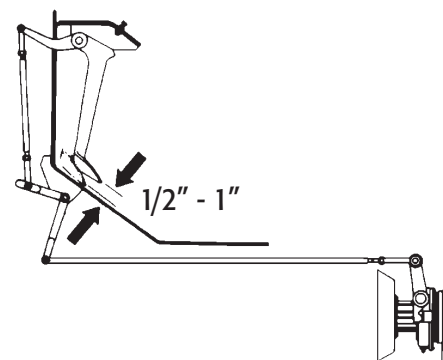


Step 2: Adjust Clutch Brake

Proper adjustment of the brake is achieved by shortening or lengthening the external truck linkage rod.

- a. Insert a .010" feeler gauge between the release bearing and clutch brake. Push the clutch pedal down to verify clutch brake squeeze.
- b. The linkage should be adjusted to allow clamp up of the feeler gauge when the pedal is within .500" (1/2") from the floor and to release the feeler gauge when the pedal is 1" or less from the floor. See **Figure 3**

Figure 3



Continued On Reverse Side



ADJUSTMENT PROCEDURE FOR 14" and 15 1/2" ANGLE SPRING 2-PLATE CLUTCHES (MANUAL CLUTCHES) - cont'd

Step 3: Check Free Pedal

The fingers on the release yoke should be approximately .125" (1/8") from the release bearing wear pads.

See Figure 4 This should equal about 1" - 3" of free pedal in the cab. **See Figure 5**

- a. Routine clutch adjustment should occur when the free pedal is about half (1/2) of new installation free pedal. For example, if free pedal is set at 3" upon installation of the new clutch, clutch adjustment should occur at approximately 1.5" of free travel.

Important: If the bearing is the correct distance from the clutch brake and proper free pedal or clutch brake squeeze cannot be achieved, the truck does not have enough stroke to move the yoke the required distance. The pedal stroke in the cab must be increased by adjusting or modifying the upper pedal stop to raise the pedal and increase the pedal movement. **See Figure 5**

Figure 4

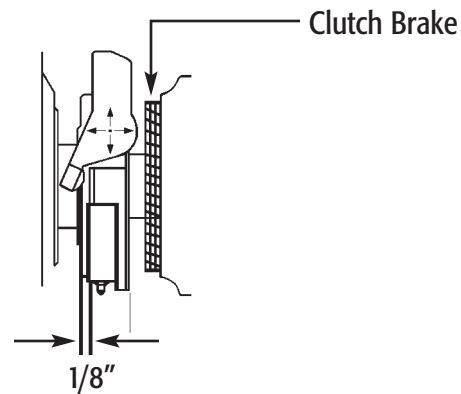
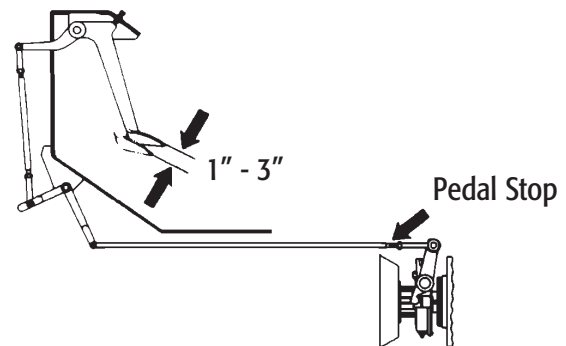
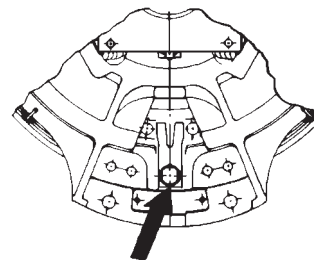


Figure 5



Step 4: Reinstall the Lockstrap



Reinstall the lockstrap

Haldex Commercial Vehicle Systems

Haldex Brake Products Corporation
10930 N. Pomona Avenue
Kansas City, MO 64153-1256
Phone: 816-891-2470
Fax: 816-891-9447

Haldex Limited
525 Southgate Drive, Unit 1
Guelph, Ontario Canada N1G 3W6
Phone: 519-826-7723
Fax: 519-826-9497