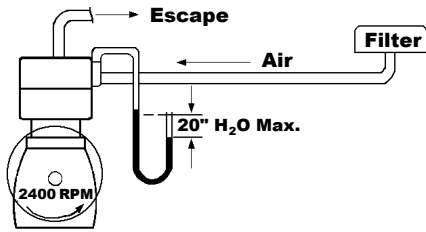


Air Inlet

- A. The compressor should never be used without an inlet filter. A dirty or restricted filter will affect performance and cause the compressor to pass an excessive amount of oil. The maximum inlet restriction with the compressor running at 2400 rpm and pumping to atmosphere is 20 inches of water. If intake vacuum exceeds 20 inches of water, the intake filter must be changed. Haldex compressors in the EL or EL(X) series may be supercharged up to 35 psi inlet air pressure. Warranty is given in supercharged service for all compressors in the EL or EL(X) series.



Filter Incoming Air To 40 Microns Maximum

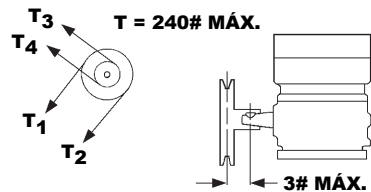
- A. Clean air is necessary to prevent excessive cylinder and ring wear. It is also necessary for operation of brake valves operating under close clearances.

Drive System

- A. The compressor installation and drive system has an influence on compressor life. The compressor is designed to operate with certain speeds and mountings. If the operating speed is too slow, insufficient air supply may result. On the other hand, a very high speed will shorten compressor life.

Use the following information as a guide when installing an EL1300, EL1600 or EL3200 Compressor:

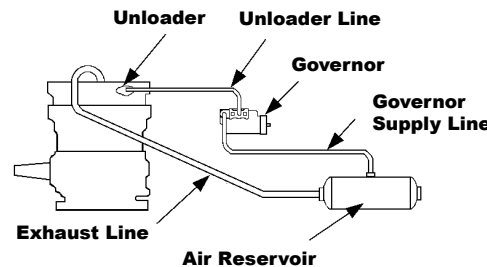
Maximum Allowable Compressor Speed	3000 rpm
Maximum Radial Force On Crankshaft	240 lbs.
Maximum Pulley Offset	3 inches



Governor Mounting

- A. Inspect the reservoir to governor line. The line must be free of contamination and kinks.
- CAUTION** The exhaust port of any governor must be open to the atmosphere. If the reservoir to governor line is too short, use kit SN4011F (this will add eight inches to the line).

- B. Keep Governor as Close To Compressor as Possible. The line between compressor governor and unloader must not be greater than 5/16 inch ID or longer than five feet. Erratic governor performance may result when the discharge line is beyond those limits.
- C. Keep Governor Away from Engine Hot Spots. Excessive heat is detrimental to the rubber seals in the governor; therefore, some thought should be given as to its location. This also applies when mounting the governor to the compressor – the governor should be placed as far from the compressor discharge as possible.
- D. Governor Supply Line Must Be 1/4 Inch ID Minimum. When the governor opens, air passes through the governor and fills the unloader pins cutting out the compressor. If the governor supply line is restricted, a pressure loss at the governor supply may close the governor valve and exhaust the air in the unloader. As soon as pressure builds up again at the governor, it will reopen. This cycle will continue at a high rate. To avoid this “flutter” condition, the governor line should be at least 1/4 inch ID and should not be restricted by fittings or sharp bends. It is also recommended that this line be as short as possible and be independent from other accessories requiring a supply of air.



Reservoir Drains

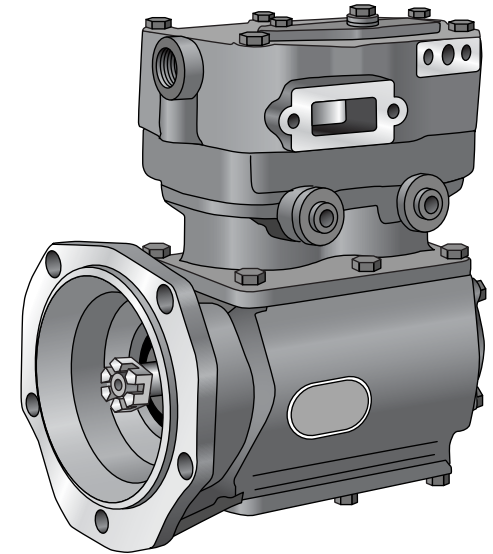
- A. Close before starting engine.

Start Engine

- A. Inspect installation for air pressure, coolant or oil leakage. Listen for any noise which may indicate loose mounting or poor drive gear alignment.

Governor Function

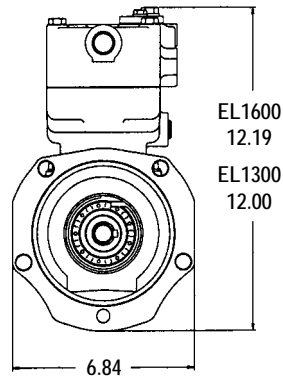
- A. Build up air system. Observe cut out pressure (maximum system pressure), “pump” foot control valve until compressor starts pumping again (minimum system pressure). The most common pressure range is 105 to 125 psi. Your fleet may require different pressure levels which can be adjusted by changing the governor setting.



Installation / Changeover Instructions 0° Detroit Diesel Compressors

EL13050	EL13050X
EL16050	EL16050X

FROM BENDIX



Ask These Questions:

1. Are all water ports 1/2" NPT?
2. EL1300 and EL1600 all 1/2"?
3. Will additional lines and fittings be required to relocate governor?
4. Will additional water lines and fittings be required for installation?

Optional Installation Choices:

1. Remote mount governor.
2. Remote mount air cleaner.
3. Head can be rotated 180°.
4. The rear end cap can be rotated to allow ease of oil line hookup.

Installation Materials that Must be Supplied:

1. If top discharge, supply SN3711J Manifold Kit.
2. If top head clearance is a problem, supply SN3711K or SN3711L (low profile) or SN3711AH (side outlet) Discharge Manifold Kit.
3. Might need 1/2" to 3/8" water port reducers.

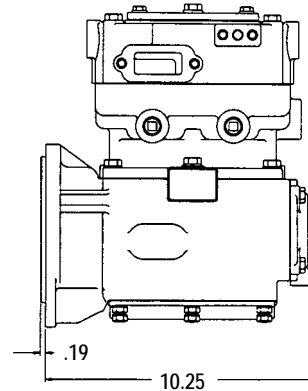
Installation Material that Should be Considered:

1. For ease of installation and extended life of the compressor, use the KN17500 Series Flexible Teflon Discharge Line Kit.
2. Let the compressor breathe. Use a KN19040 Heavy-Duty Filter.
3. Universal Waterline Changeover Kit SN3502 to hookup coolant lines.

Installation Material that Might be Required:

1. Remote Mount Governor Kit SN4011B.

TO HALDEX



Compressor Installation

Install the drive hub to the compressor crankshaft. After the hub is seated, torque the nut to 80 – 100 ft. lbs. plus that portion of a revolution required to align cotter pin holes. Do not use the nut to draw down the hub.

Inspect and insure the drive coupling is 2.54 inches long before reassembly.

Install the compressor to the engine using the supplied gasket. Care should be taken so no gasket sealant plugs the oil drain.

Assemble the intake manifold, exhaust manifold, and governor to the compressor using the gaskets provided with the compressor.

Reconnect the intake, exhaust, oil, and water lines. Water must enter the block or head of the compressor and exit the head at the opposite end.

Close all air and water drain fittings. Fill the engine cooling system.

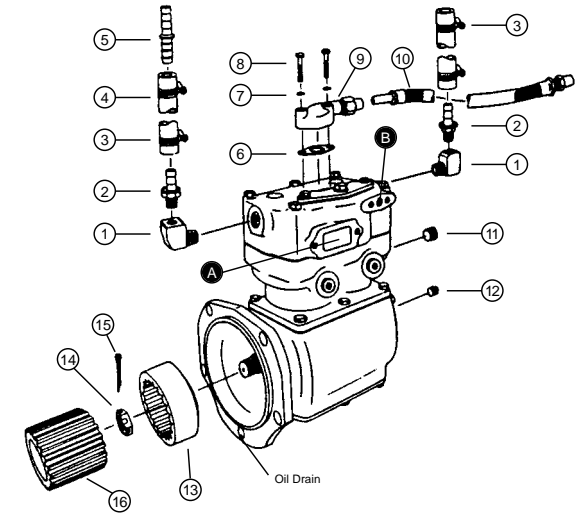
Start the engine and check for air, oil, or coolant leakage. Correct any leakage problems as required.

Check the governor function. Observe the cut-out pressure (maximum system pressure). Cycle the brakes until the compressor starts pumping. Observe the system pressure. The most common pressure range is about 105 psi minimum system pressure to 125 psi maximum system pressure. Readjust or replace the governor, if required.

Compressor Illustration 0° Detroit Diesel Compressor

EL13050
EL16050

EL13050X
EL16050X



Coupling Sleeve (Item 16) can generally be reused. The coupling sleeve must be 2.54 inches long. If not reusable or in the correct length, allow enough time to purchase. Reuse drive hub (Item 13) if not damaged in removal. If reused, the inside diameter should be no larger than 0.8745 inches. The hub must be press fit on the compressor crankshaft. Use pipe plug (Item 12) to plug the option of side or center oil entry.

Item	Description	Comment
1	Elbow 1/2"	b
2	Hose Fitting 1/2" Pipe to 1/2" Hose	b
3	Hose Clamp	b
4	Water Hose 1/2" ID	b
5	Hose-to-Hose Coupling 1/2"	b
6	Manifold Gasket N14976	a & c
7	Manifold Lockwashers 35W51020	c
8	Manifold Bolts 08W12028	c
9	Discharge Manifold 100691C	c
10	Discharge Line	d
11	Pipe Plug 1/2" 7 x 107	a
12	Pipe Plug 1/8" 7 x 106	a
13	Drive Hub SN3072BT	d
14	Crankshaft Nut 2 x 52	a
15	Cotter Pin 38W10820	a
16	Coupling Sleeve 2.54" long SN3072BR.....	d
A	Intake Manifold Mounting Flange	
B	Governor Mounting Flange	

Comment Key:

a – Provided with Compressor c – Part of SN3711K Kit
b – Part of SN3502 Kit d – Order from Haldex

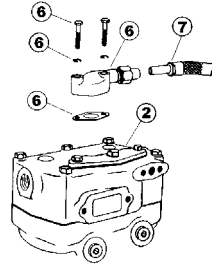
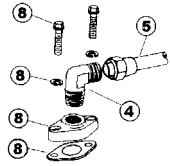
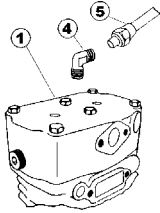
AIR DISCHARGE

Bendix Top Discharge to Haldex Top Discharge

Bendix

Haldex Option
Using SN3711J Kit

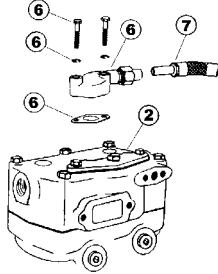
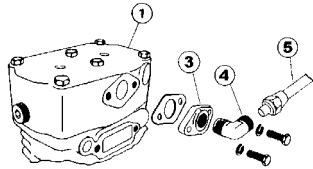
Haldex Recommended
Using SN3711K



Bendix Side Discharge to Haldex Top Discharge

Bendix

Haldex Recommended



Item Description

- 1 Bendix Unit
- 2 Haldex Unit
- 3 Bendix Manifold
- 4 1/2" Pipe to 5/8" or 3/4" Tubing Elbow
- 5 Existing Discharge Line
- 6 Discharge Manifold (see options)
- 7 KN17500 Series Flexible Discharge Line Kit
- 8 SN3711J Discharge Manifold Kit

Increase Air Flow

The Haldex recommended manifold kit offers a smoother and less abrupt change in direction of discharge air flow. The Haldex recommended manifold will give a quicker air delivery and reduce carbon buildup over a longer period of time.

Check for Restrictions

If the discharge line is reused and is clogged, dented, or kinked, the replacement compressor cannot perform to maximum capacity. By using the KN17500 Series Discharge Line Kit (Item 7), the installer will be able to check the remaining length for restrictions.

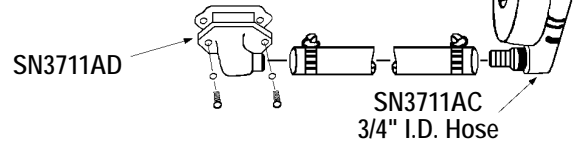
AIR CLEANER



Heavy-Duty
KN19040
Filter Element
100696E Included

Remote Mount
Application

KN19040

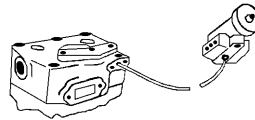


PISTON TYPE GOVERNOR

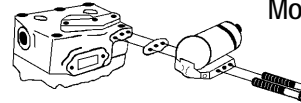


KN18530
KN18530X
KN18537

Remote
Mount



Direct
Mount



GOVERNOR TO RESERVOIR EXTENSION LINE KIT



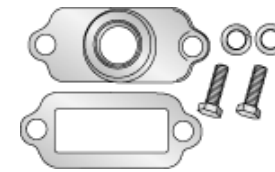
SN4011F

FLEXIBLE DISCHARGE LINE KITS

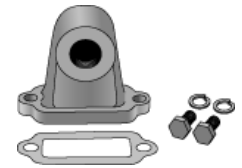
KN17500 18"
KN17501 24"
KN17502 36"
KN17503 48"
KN17504 60"



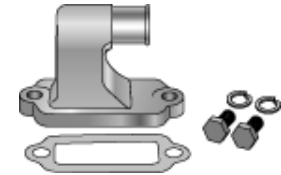
INTAKE MANIFOLD OPTIONS



SN3711AA

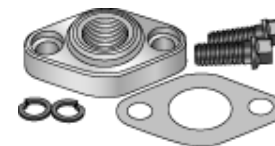


SN3711AC



SN3711AD

DISCHARGE MANIFOLD OPTIONS



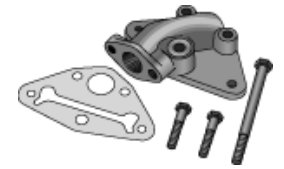
SN3711J



SN3711K



SN3711L



SN3711AH

WATERLINE CHANGEOVER KIT

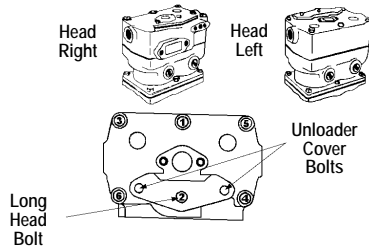


SN3502

HEAD ROTATION

The head assembly of any EL1300/EL1600 Compressor can be rotated with respect to the block. A head rotation may be necessary to allow ease of mounting intake manifold and governor. Rotating the head does not void the warranty.

Head and block rotation is determined by viewing the compressor from the drive end.



1. Remove the six 3/8 – 16 UNC head bolts.
2. Remove the head by tapping it lightly with a hammer on the boss below the water ports.
3. Remove the head gasket and replace with the gasket supplied.
4. Rotate the head 180° and insert the head bolts insuring the one longer bolt is inserted through the unloader coverplate that is bolted to the head.
5. Torque the head bolts to 18 – 22 ft. lbs. in the order as shown in the sketch above.
6. Retorque the head bolts to 27 – 33 ft. lbs. in the same order as shown in the sketch above.

REMOVAL

⚠ WARNING With vehicle on level surface, always block the vehicle wheels before working on any part of an air brake system.

⚠ WARNING Shut down vehicle engine.

1. Carefully and completely drain the vehicle's air system. Leave all reservoir drain fittings open during changeover.
2. Drain the engine coolant system below the level of the compressor block.

⚠ CAUTION Remove discharge line carefully. The line is HOT while the unit is running and may be for some time after shutdown. Air may still be in the vehicle system due to automatic drain and one-way check valves.

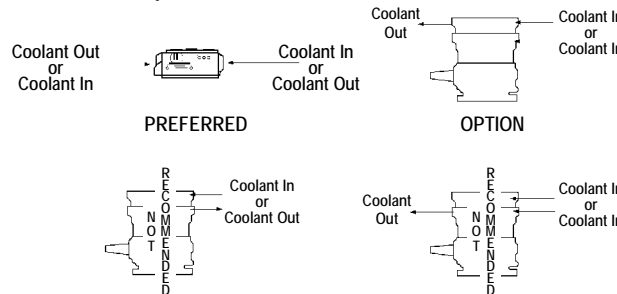
3. Disconnect and cap all other lines.
4. Remove drive belt(s) on pulley-driven units.
5. Unbolt fuel pump on Cummins and power steering pump on some Mack models.
6. Remove mounting bolts on flange-mounted units. Remove bottom bolt(s) first.

⚠ CAUTION An air compressor weighs between 40 and 50 pounds and is often oil covered. Be sure of your grip when removing the compressor from the engine mounting.

The following items must be checked to ensure proper compressor function.

Coolant Lines

- A. Clean or replace any plugged, corroded or damaged coolant lines or fittings. **NOTE:** It is common on bus applications for the engine block fittings to be plugged with corrosion.
- B. Water lines should be 1/2 inch ID Minimum – this along with eliminating any sharp bends is adequate to prevent excessive line restriction and to ensure minimum required flow throughout the life of the compressor.
- C. Direct water flow across the head – water inlet should be into the cylinder head or cylinder block at one end and taken out of the CYLINDER HEAD at the opposite end. By no means should the water outlet be from the same end as the water supply, or should the water outlet be from the cylinder block.



Oil Feed Line (On models which have an external feed – see compressor illustration on front)

- A. Check feed line for contamination or kinks. The feed line can be purged of contamination and checked for flow by running the engine for a few seconds before connecting the line to the compressor. The oil line should come from a point after the oil filter and must be at least 10 psi oil pressure at engine idle. The line should be 1/8 inch ID Minimum to ensure an adequate supply of oil. Some compressors have two oil inlet ports in the rear end cap. The one to which the oil supply line is not connected must be plugged with a metal plug.

Oil Drain Line (On models which have an external drain – see compressor illustration on front)

- A. Check for contamination or restrictions. The drain line must be 1/2 inch ID Minimum from the compressor to the engine crankcase. The line should have no bends, less than a two inch radius, be free of traps, have a continuous

downward flow and enter the engine above the engine oil level. The compressor drain should not be connected to any other oil drains which could restrict the flow of oil out of the compressor. Check the mating oil drain hole in the engine flange for contamination or restrictions on internally drained models.

Compressor Mounting Surface

- A. Clean the mounting surface. Use the gasket provided with the replacement compressor. Use gasket sealant sparingly. Care should be taken so no gasket sealant plugs the oil entry or oil drain. **NOTE:** Excessive gasket sealant which plugs or restricts either the oil feed or drain voids any warranty or progressive damage claim.

Compressor Mounting (Flange Mounted Compressors)

- A. Inspect drive hub and coupling for wear or damage. Replace if necessary. Install compressor and check for proper alignment before bolts are drawn tight.

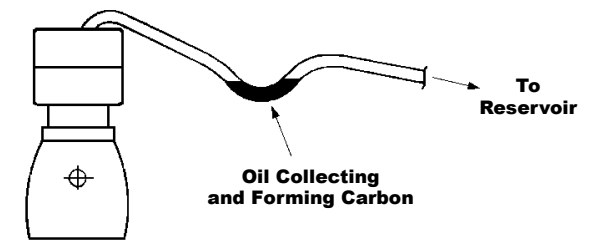
Compressor Mounting (Base Mounted Compressors)

- A. Inspect pulley for wear or damage. Replace if necessary. Install compressor and check for proper alignment.

⚠ CAUTION The maximum drive belt radial force is 240 lbs.

Air Discharge Line

- A. See front side for Haldex recommendations. The line must be .547 inch ID Minimum, show no bends smaller than a two inch radius, be free of traps and slope downward toward the air reservoir or air dryer.



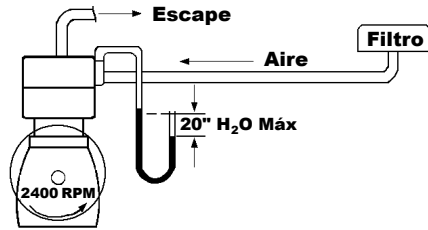
Haldex

Haldex Brake Systems
North American Sales & Svc. Org.
10707 NW Airworld Drive
Kansas City, MO 64153-1215
(816) 891-2470

Haldex Limited
525 Southgate Drive, Unit 1
Guelph, Ontario
Canada N1G 3W6
(519) 826-7723

Entrada de aire

- A. El compresor no se debe utilizar nunca sin un filtro de entrada. Si el filtro está sucio o atascado, el funcionamiento resultará afectado y provocará que el compresor pase una cantidad excesiva de aceite. La restricción de entrada máxima con el compresor en funcionamiento a 2400 rpm y bombeando a la atmósfera es de 20 pulgadas de agua. Si el vacío de entrada excede las 20 pulgadas de agua, el filtro de entrada se debe cambiar. Los compresores de Haldex de las series EL o EL(X) se pueden cargar a una presión de entrada de aire de hasta 35 psi. La garantía es válida para servicio cargado para todos los compresores de las series EL o EL(X).



Aire entrante de filtro para un máximo de 40 micras

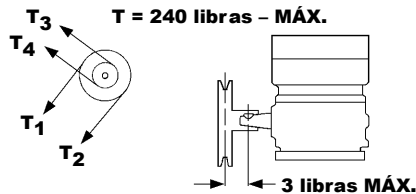
- A. Para evitar que se desgaste en exceso el anillo y el cilindro, es necesario utilizar aire limpio. Así mismo, es necesario para el funcionamiento de las válvulas de freno en poco espacio.

Sistema motriz

- A. La instalación del compresor y del sistema motriz influye en la vida del compresor. El compresor está diseñado para que funcione a ciertas velocidades y en ciertos soportes. Si la velocidad de funcionamiento es demasiado baja, es posible que el suministro de aire no sea suficiente. Por el contrario, una velocidad muy alta de aire acortará la vida del compresor.

Cuando instale un compresor EL1300, EL1600 o EL3200 utilice la siguiente información como guía:

Velocidad máxima permitida de compresor	3000 rpm
Fuerza radial máxima sobre cigüeñal	240 lbs.
Desplazamiento máximo de la polea	3 pulgadas

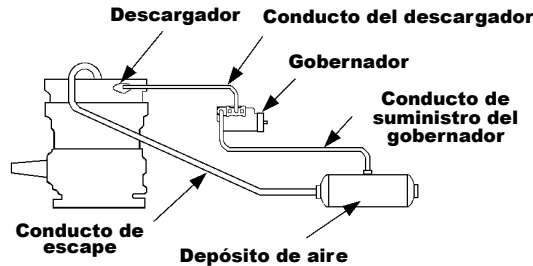


Montaje del gobernador

- A. Inspeccione el depósito para el conducto del gobernador. El conducto no debe estar contaminado ni deformado.

PRECAUCIÓN: El puerto de escape de cualquier gobernador se debe abrir a la atmósfera. Si el conducto del depósito al gobernador es muy corto, utilice el juego SN401 1F (con éste alargará 8 pulgadas el conducto).

- B. Coloque el gobernador tan cerca como sea posible del compresor. El diámetro interior del conducto entre el gobernador del compresor y el descargador no debe ser superior a 5/16 pulgadas y su largo no debe ser de más de cinco pies. Es posible que no funcione correctamente el gobernador cuando el conducto de descarga excede estos límites.
- C. Mantenga el gobernador alejado de los lugares calientes del motor. El calor excesivo es dañino para los sellos de caucho del gobernador. Por lo tanto, analice bien el lugar del mismo antes de colocarlo. Esto también aplica cuando monta el gobernador en el compresor, el gobernador se debe colocar lo más alejado posible de la descarga del compresor.
- D. El conducto de suministro del gobernador debe ser de 1/4 de pulgada de diámetro interior como mínimo. Cuando se abre el gobernador, el aire pasará a través del gobernador y llenará las clavijas del descargador que desconectan el compresor. Si el conducto de suministro del gobernador está atascado, la pérdida de presión que se producirá en el suministro del gobernador puede provocar que se cierre la válvula del gobernador y una salida de aire en el descargador. Tan pronto como vuelva a aumentar la presión en el gobernador, éste se abrirá de nuevo. Este ciclo continuará a una velocidad muy alta. Para evitar esta condición de "fluctuación", el conducto del gobernador debe tener un diámetro interior de 1/4" como mínimo y no debe estar restringida por conectores o por una curvatura excesiva de la misma. También se recomienda que este conducto sea lo más corta posible y que sea independiente de otros accesorios que requieran suministro de aire.



Drenajes del depósito

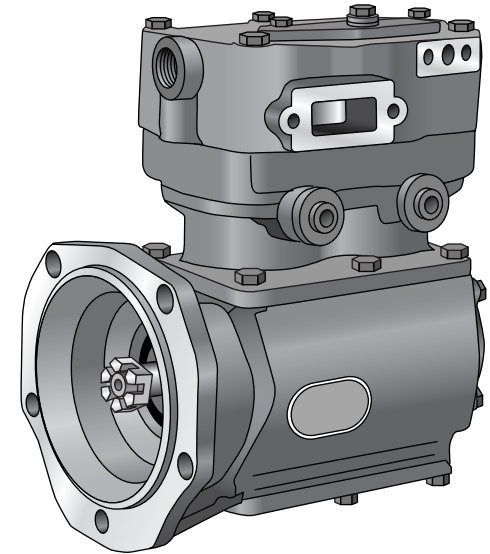
- A. Cíérrelos antes de arrancar el motor.

Arranque del motor

- A. Revise la presión de aire de la instalación, si hay fugas de refrigerante o de aceite. Escuche con cuidado por si existe algún ruido que indique que la base esté floja o que la alineación del engranaje de dirección es incorrecta.

Función del gobernador

- A. Restablezca el sistema de aire. Compruebe la presión de desconexión (presión máxima del sistema), "bombee" con la válvula de control de pedal hasta que el compresor bombee de nuevo (presión mínima del sistema). El intervalo de presión más común es de 105 a 125 psi. Es posible que su flote requiera unos niveles de presión distintos que podrá ajustar cambiando la configuración del gobernador.

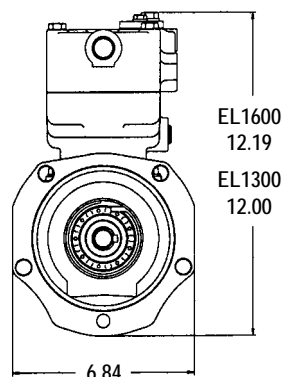


Instrucciones para instalación o intercambio de compresores diesel Detroit 0°

EL13050
EL16050

EL13050X
EL16050X

DE BENDIX



Haga las preguntas siguientes:

1. ¿Son todos los puertos de agua de 1/2" NPT?
2. ¿Son los puertos del EL1300 y EL1600 de 1/2"?
3. ¿Serán necesarios conductos adicionales y conectores para reubicar el gobernador?
4. ¿Serán necesarios conductos de agua adicionales y conectores para la instalación?

Opciones de instalación:

1. Gobernador de montaje remoto
2. Filtro de aire de montaje remoto
3. El cabezal se puede girar a 180°
4. Se puede rotar el tapón posterior para facilitar la conexión del conducto de aceite.

Materiales de instalación que se deben proporcionar:

1. Si es de descarga superior, pida el juego de distribuidor SN3711J.
2. Si el espacio del cabezal superior es un problema, pida el juego de distribuidor de descarga SN3711K o SN3711L (perfil bajo) o SN3711AH (salida lateral).
3. Puede necesitar reductores de puerto de agua de 1/2" a 3/8".

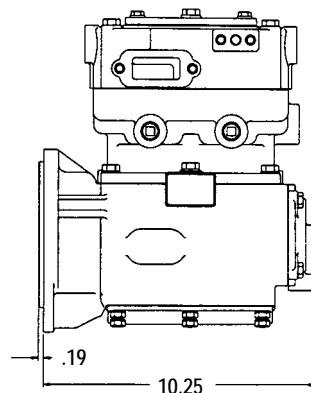
Materiales de instalación que se deben considerar:

1. Para facilitar la instalación y extender la vida del compresor, utilice el juego de conducto de descarga de teflón flexible de la serie KN17500.
2. Deje que respire el compresor. Utilice un filtro de alta capacidad KN19040.
3. Juego de intercambio de conducto de agua universal SN3502 para conectar los conductos de líquido refrigerante.

Materiales para la instalación que se pueden necesitar:

1. Juego de gobernador de montaje remoto SN4011B.

A HALDEX



Instalación del compresor

Instale el eje de transmisión en el cigüeñal. Después de que se coloque el eje, aplique torque a la tuerca a razón de 80 a 100 pies lbs. más la parte de una revolución requerida para alinear los agujeros de la chaveta. No utilice la tuerca para empujar hacia abajo el eje.

Inspeccione y asegúrese que el acoplamiento de dirección es de 2.54" de largo antes de volverlo a montar.

Instale el compresor al motor utilizando el empaque incluido. Se debe hacer con cuidado para que el sellador de empaque no tape el drenaje de aceite.

Monte el distribuidor de entrada, distribuidor de salida y el gobernador en el compresor mediante los empaques que se incluyen con el compresor.

Vuelva a conectar los conductos de entrada, escape, aceite y agua. El agua debe entrar al bloque o cabeza del compresor y sacar el cabezal en el extremo opuesto.

Cierre todos los empalmes de drenaje de aire y agua. Llene el sistema de enfriamiento del motor.

Arranque el motor y revise si hay fugas de aire, aceite o líquido refrigerante. Corrija cualquier problema de fuga como se requiera.

Revise la función del gobernador. Observe la presión de detención (máxima presión del sistema). Alterne los frenos hasta que el compresor comience a bombear. Observe la presión del sistema. El rango de presión más común es de aproximadamente 105 psi como mínimo a 125 psi como máximo. Si es necesario, vuelva a ajustar o cambie el gobernador.

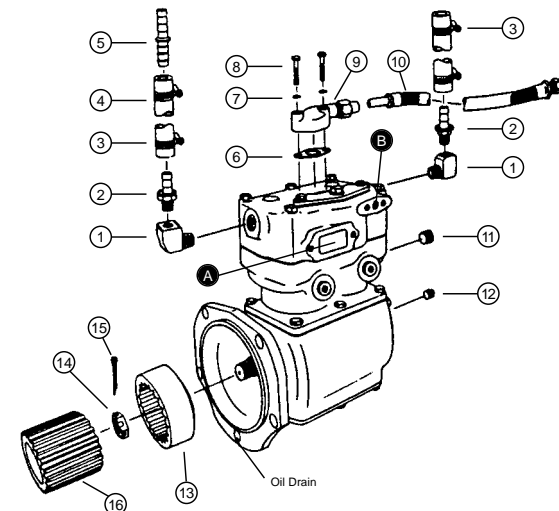
Ilustración del compresor Compresor Diesel Detroit 0°

EL13050

EL16050

EL13050X

EL16050X



El manguito de acoplamiento (artículo 16) generalmente se puede volver a utilizar. El manguito de acoplamiento debe ser de 2.54". Si no se puede volver a utilizar o no tiene el largo correcto, tómese el tiempo necesario para comprarlo. Vuelva a utilizar el eje de transmisión (artículo 13) si no se dañó al retirarlo. Si se vuelve a utilizar, el diámetro interior no debe ser de más de 0.8745". El eje se debe presionar para que se ajuste al cigüeñal del compresor. Utilice un tapón de tubería (artículo 12) para tapar la opción de entrada de aceite lateral o central.

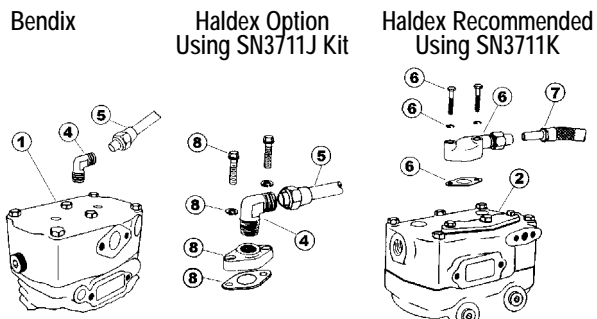
Artículo	Descripción	Comentario
1	Codo de 1/2"	b
2	Tubería de 1/2" de conector de manguera a manguera de 1/2" ..	b
3	Abrazadera de manguera	b
4	Manguera de agua de diámetro interior de 1/2"	b
5	Acoplamiento de manguera a manguera de 1/2"	b
6	Empaque del distribuidor N14976	a y c
7	Arandelas de seguridad del distribuidor 35W51020	c
8	Pernos del distribuidor 08W12028	c
9	Distribuidor de descarga 100691C	c
10	Conducto de descarga	d
11	Tapón de tubería 1/2" 7 x 107	a
12	Tapón de tubería 1/8" 7 x 106	a
13	Eje de transmisión SN3072BT	d
14	Tuerca de cigüeñal 2 x 52	a
15	Chaveta 38W10820	a
16	Manguito de acoplamiento de 2.54" de largo SN3072BR	d
A	Brida de montaje de distribuidor de entrada	
B	Brida de montaje del gobernador	

Clave del comentario:

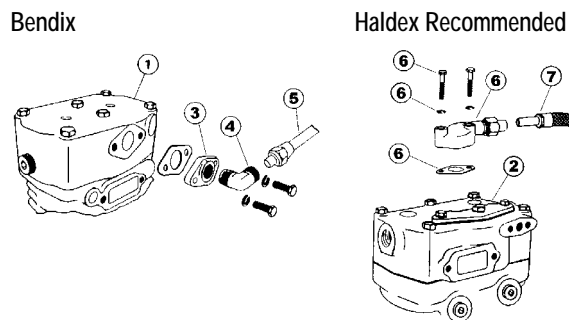
- a – Incluido con compresor c – Parte del juego SN3711K
b – Parte del juego SN3502 d – Pedir a Haldex

DESCARGA DE AIRE

Descarga superior Bendix a descarga superior de Haldex



Descarga del lado Bendix a descarga del lado de Haldex



ARTÍCULO DESCRIPCIÓN

- | | |
|---|---|
| 1 | Unidad Bendix |
| 2 | Unidad Haldex |
| 3 | Distribuidor Bendix |
| 4 | Tubería de 1/2" para codo de tubería de 5/8" ó 3/4" |
| 5 | Conducto de descarga existente |
| 6 | Distribuidor de descarga (consulte las opciones) |
| 7 | Conducto de descarga flexible de la serie KN17500 |
| 8 | Juego de distribuidor de descarga SN3711 |

Incremento del flujo de aire

El juego de distribuidor recomendado Haldex ofrece un cambio más suave y menos abrupto en la dirección del flujo de aire de descarga. El distribuidor recomendado Haldex ofrece un suministro de aire más rápido y reduce la acumulación de carbono durante períodos largos.

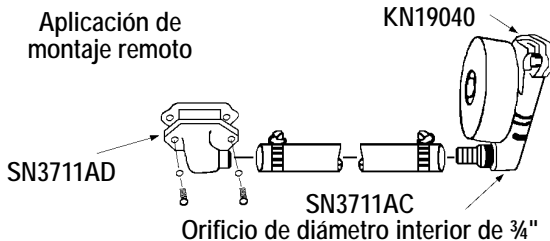
Revisión de las obstrucciones

Si el conducto de descarga se vuelve a utilizar y está atascado, abollado o deformado, el compresor de repuesto no podrá funcionar a su capacidad máxima. Si utiliza el juego de conducto de descarga flexible KN17500 (artículo 7), el instalador podrá revisar si hay más obstrucciones.

FILTRO DE AIRE



Alta capacidad
KN19040
Elemento del filtro
100696E incluido

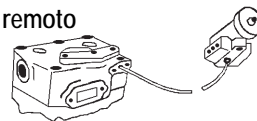


GOBERNADOR DE TIPO PISTÓN

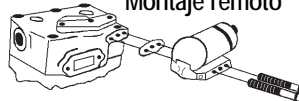


KN18530
KN18530X
KN18537

Montaje remoto



Montaje remoto



JUEGO DE CONDUCTO DE EXTENSIÓN DEL GOBERNADOR AL DEPÓSITO



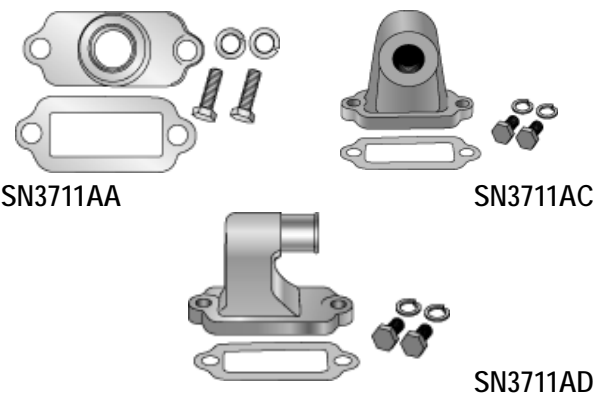
SN4011F

JUEGOS DE CONDUCTO FLEXIBLE DE DESCARGA

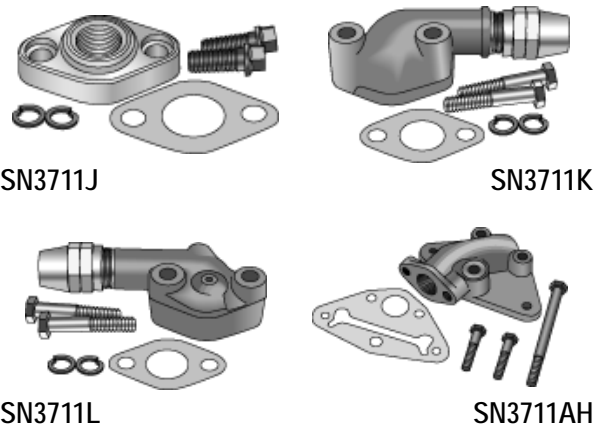
KN17500	18"
KN17501	24"
KN17502	36"
KN17503	48"
KN17504	60"



OPCIONES DE DISTRIBUIDOR DE ENTRADA



OPCIONES DE DISTRIBUIDOR DE DESCARGA



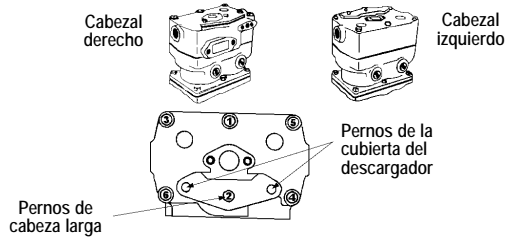
JUEGO DE INTERCAMBIO DE CONDUCTOS DE AGUA



SN3502

ROTACIÓN DEL CABEZAL

El montaje del cabezal de cualquier compresor EL1300/EL1600 se puede girar con respecto al bloque. Es posible que sea necesario hacer girar el cabezal para facilitar el montaje del distribuidor de entrada y el gobernador. Este giro del cabezal no anulará la garantía. La dirección del giro del bloque y el cabezal se debe hacer mirando el compresor desde el extremo de la dirección.



1. Retire los seis pernos del cabezal 3/8 -16 UNC.
2. Para retirar el cabezal deberá golpearlo suavemente con un martillo sobre el saliente debajo de los puertos de agua.
3. Retire el empaque del cabezal y coloque el empaque nuevo que se incluye.
4. Gire el cabezal 180° e introduzca los pernos del cabezal asegurándose de introducir el perno más largo a través de la placa de la cubierta del descargador que está atornillado al cabezal.
5. Aplique torque a los pernos del cabezal a razón de 18 a 22 pies lb. en el orden que se muestra en el dibujo anterior.
6. Vuelva a aplicar torque a los pernos del cabezal a razón de 27 a 33 pies lb. en el mismo orden que se muestra en el dibujo anterior.

Desmontaje

⚠ ADVERTENCIA Coloque el vehículo sobre una superficie nivelada. Antes de comenzar cualquier trabajo en el sistema de frenos neumáticos de un vehículo siempre deberá bloquear las ruedas del mismo.

⚠ ADVERTENCIA Apague el motor del vehículo.

1. Drene con cuidado y por completo el sistema neumático del vehículo. Durante el proceso de intercambio debe dejar abiertos todos los conectores de drenaje del depósito.
2. Drene el sistema de enfriamiento del motor hasta que esté por debajo del nivel del bloque del compresor.

⚠ PRECAUCIÓN Retire con cuidado el conducto de descarga. El conducto estará CALIENTE mientras la unidad esté en funcionamiento y es posible que siga caliente tiempo después de haberla desconectado. Es posible que aún quede aire en el sistema del vehículo debido al drenaje automático y a las válvulas de retención de una vía.

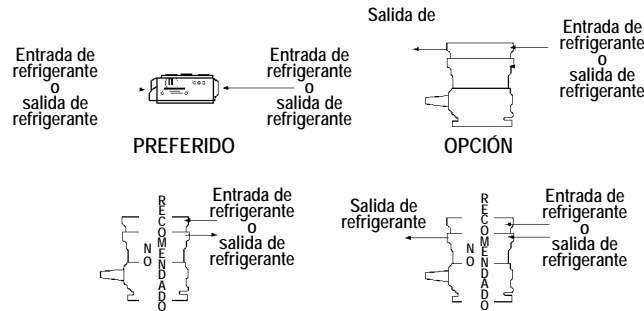
3. Desconecte y tape el resto de los conductos.
4. Retire las fajas de transmisión de las unidades accionadas por polea.
5. Afloje los tornillos de la bomba de combustible en unidades Cummins y de la bomba de la dirección de alimentación en los modelos Mack.
6. Retire los pernos de montaje de las unidades montadas sobre bridas. Primero retire los pernos del fondo.

⚠ PRECAUCIÓN Un compresor de aire pesa entre 40 y 50 libras y a menudo están cubiertos de aceite. Asegúrese de sujetarlo del modo correcto cuando lo saque de la base del motor.

Compruebe los siguientes componentes para asegurarse de que el compresor funciona correctamente.

Conducto del líquido refrigerante

- A. Limpie o cambie cualquier conducto de líquido refrigerante o conector dañado, corroído o tapado. NOTA: En aplicaciones de bus es muy normal que los conectores del bloque del motor se tapen por el óxido.
- B. Los conductos de agua deben tener un diámetro interior de 1/2" como mínimo, además se recomienda que el conducto no tenga ángulos afilados para evitar que el conducto se obstruya exageradamente y así poder asegurar que se obtiene el flujo requerido durante la vida del compresor.
- C. Dirija el flujo de agua a través del cabezal, la entrada de agua debe estar en el interior del cabezal del cilindro o del bloque del cilindro, en uno de los extremos y debe salir del CABEZAL DEL CILINDRO por el lado opuesto. La salida del agua no puede estar en ningún caso, en el mismo extremo que el suministro de agua de ésta. La salida de agua debe estar en el bloque del cilindro.



Conducto de alimentación de aceite

(en modelos que tengan un sistema de alimentación externo, consulte la ilustración del compresor en el frente)

- A. Compruebe que el conducto de alimentación no esté torcido ni contaminado. Para purgar la contaminación del conducto de alimentación y comprobar el flujo encienda el motor durante unos segundos antes de conectar el conducto al compresor. El conducto de aceite debe salir de un lugar posterior al filtro de aceite y debe tener al menos una presión de 10 psi con el motor al ralentí. El conducto debe tener un diámetro interior de 1/8" como mínimo para que el suministro de aceite sea, con seguridad, el adecuado. Algunos compresores tienen dos puertos de entrada en el tapón posterior. El sobrante se debe tapar con un tapón de metal.

Conducto de drenaje de aceite

(en modelos que tengan drenaje externo; consulte la ilustración del compresor en el frente)

- A. Compruebe que no haya contaminación u obstáculos en el conducto. El conducto de drenaje debe tener un diámetro interior de 1/2" como mínimo desde el compresor hasta el cárter del motor. El radio de la curvatura del conducto no debe ser inferior a 2" y no

debe tener sifones. El flujo tiene que ser con dirección de descenso continuo hasta que llegue al motor sobre el nivel de aceite del mismo. El drenaje del compresor no se debe conectar a ningún otro drenaje de aceite que pudiera restringir el flujo de aceite que sale del compresor. Compruebe que el agujero de drenaje de aceite del acoplamiento en la brida del motor no esté contaminado y que no tenga obstrucciones en los modelos con drenaje interno.

Superficie de la base del compresor

- A. Limpie la superficie de la base. Utilice el empaque que se incluye con el compresor de repuesto. Utilice sellador de empaques. Sea muy precavido al aplicar el sellador para que no tape la entrada ni el drenaje de aceite. NOTA: Si aplica demasiado sellador de empaques y se tapa la entrada o el drenaje de aceite, la garantía se anulará así como cualquier reclamo de daños.

Base del compresor (compresores montados en bridas)

- A. Compruebe que el eje de transmisión y el acoplamiento no estén gastados ni dañados. Cámbielos si es necesario. Instale el compresor y revise que esté alineado antes de terminar de apretar los pernos.

Base del compresor (compresores montados en base)

- A. Compruebe que la polea no esté dañada ni gastada. Cámbiela si es necesario. Instale el compresor y revise que quede alineado.

⚠ PRECAUCIÓN La fuerza radial de la faja de transmisión es de 240 libras.

Conducto de descarga de aire

- A. Consulte las recomendaciones de Haldex que se encuentran en la parte lateral frontal. El conducto debe tener un diámetro interior de 0.547" como mínimo y la curvatura no debe ser inferior a 2" de radio y no debe tener sifones. Así mismo debe estar inclinada hacia el depósito de aire o secador de aire.

