

## C15 Truck Engine Compressor Intake Line Replacement Instructions

It is recommended by Caterpillar that the rigid intake line supplied in the C15 Truck Engine Compressor (See Figure 1) be replaced with a Flex Hose (See Figure 2).

Failure to follow this recommendation may result in damage to the compressor. This damage will not be covered under Haldex Warranty.

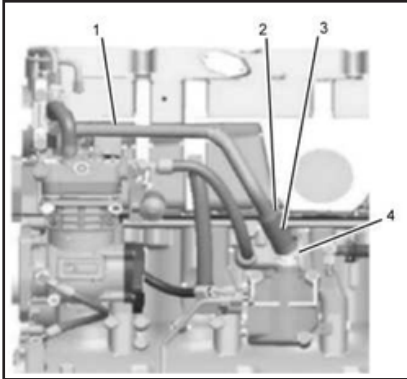


Figure 1

- 1 - Rigid Tube
- 2 - Band Clamp
- 3 - Hose
- 4 - Connector

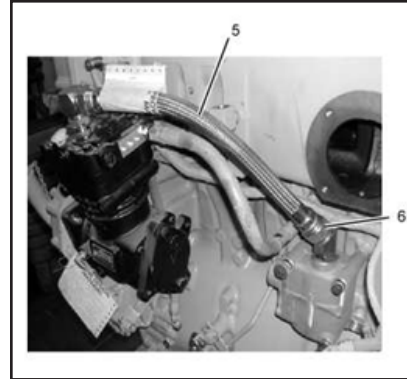


Figure 2

- 5 - Flex Hose
- 6 - Elbow

If you have further questions or need additional information, please refer to Caterpillar Media Number REHS4837-00.

## C15 Truck Engine Compressor Intake Line Replacement Instructions

It is recommended by Caterpillar that the rigid intake line supplied in the C15 Truck Engine Compressor (See Figure 1) be replaced with a Flex Hose (See Figure 2).

Failure to follow this recommendation may result in damage to the compressor. This damage will not be covered under Haldex Warranty.

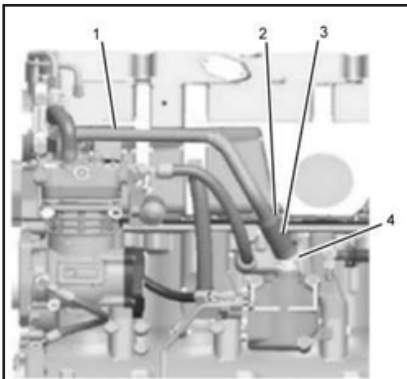


Figure 1

- 1 - Rigid Tube
- 2 - Band Clamp
- 3 - Hose
- 4 - Connector

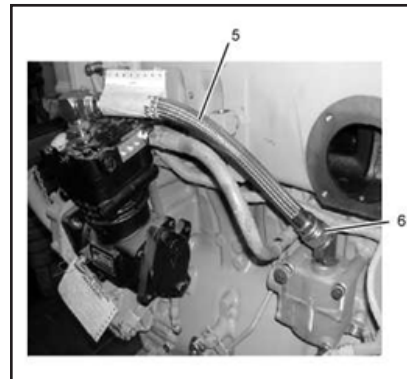


Figure 2

- 5 - Flex Hose
- 6 - Elbow

If you have further questions or need additional information, please refer to Caterpillar Media Number REHS4837-00.