



Air Control Kit for Automatic Lowering of Air Suspension (AC-77/78-M-4)

**L31209
(94100494)
Rev. 1/04**

INSTALLATION INSTRUCTIONS

Note: Refer to Fig. 1 when installing the pilot valve(s)

1. Install pilot valve by plumbing a line from the middle port of Type CR height control valve to N.C. port of pilot valve.
2. Connect the air springs to the SUS/COM port of pilot valve.
3. Install an air line from the emergency brakes/gladhands to the top port of the pilot valve.
4. Use a drop of oil or Loctite to lubricate threaded connections. DO NOT USE a pipe compound or Teflon tape.

OPERATING INSTRUCTIONS

NORMAL HIGHWAY OPERATION

With parking brakes released and gladhands connected, vehicle will operate at normal ride height.

LOWERING OPERATION

To lower vehicle, set tractor parking brakes or disconnect emergency gladhand.

Note: This kit will allow the vehicle to move forward approximately 3" after the parking brakes are set and the emergency gladhand is disconnected.

APPLICATION NOTE

AC-77-M/S - Air Control schematic shown is for a two Height Control Valve system.

AC-78-M/S - Air Control schematic shown is for a single Height Control Valve system with the manifold line installed as shown by a dashed line in Figure 1.

Note: Type CR HCV shown in Figure 1 is not included with AC-77/AC-78 Series Kits. The Type CR HCVs are included in the AC-6100/AC-6000 Series Kits. Contact your Haldex Sales Representative for assistance.

Air Control Kit Parts List Manual Lowering System		AC-77 -M-4	AC-78 -M-4
Item	Description	Qty.	Qty.
1	Pilot Valve	2	1
2	Decal	1	1

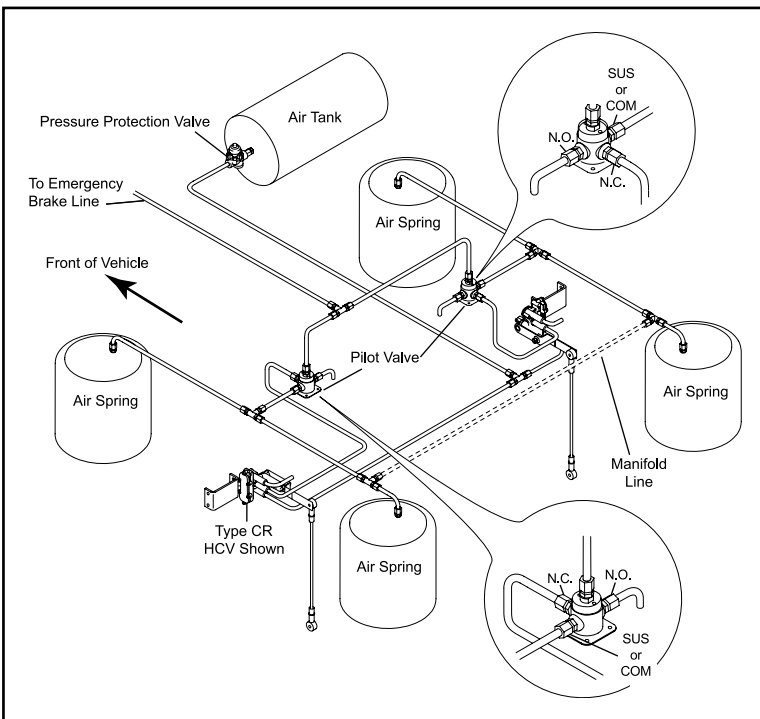


Figure 1. AC-77-M/S-4

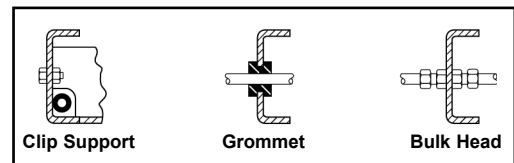


Figure 2. Plumbing Support

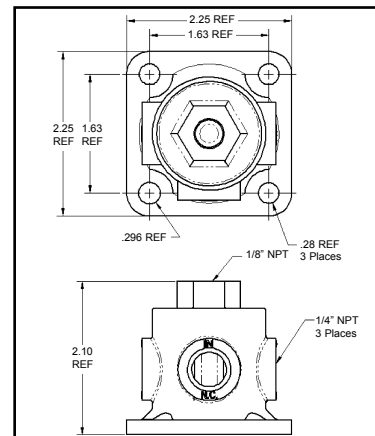


Figure 3. Pilot Valve



Haldex Commercial Vehicle Systems

North American Sales Division
Haldex Brake Products Corporation
10707 N.W. Airworld Drive
Kansas City, MO 64153-1215
Phone: (816) 891-2470
Fax: (816) 880-9766

North American Sales Division
Haldex Limited
525 Southgate Drive, Unit 1
Guelph, Ontario CANADA N1G 3W6
Phone: (519) 826-7723
Fax: (519) 826-9497