

Beware of Counterfeit Height Control Valves



DON'T BE FOOLED BY IMITATIONS. Counterfeit height control valves are being distributed throughout the industry as Haldex or Neway Aftermarket Parts. Counterfeit valves may cause damage to suspension or driveline components.

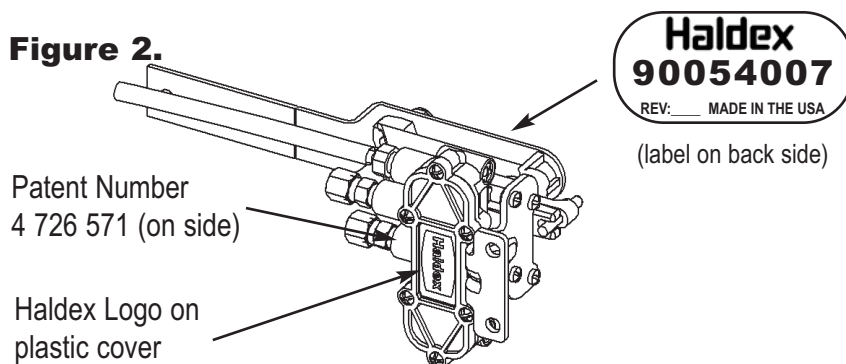
Haldex will not reimburse any claim for counterfeit valves returned to our Warranty Claims Department. The counterfeit valves do not meet Haldex specifications or pass our quality control tests. These valves typically exhibit large deadbands, inconsistent time delays, intermittent operation, excessive leakage and are highly susceptible to temperature variations. Counterfeit valves offer no warranty and often experience major failure soon after installation. In tests, these valves lasted only 20% of the specified life of the Genuine Haldex Height Control Valve.

Counterfeit valves have been designed to appear similar to the Genuine Height Control Valve and they are often sold to customers as Haldex or Neway Valves. However, they do not have the Haldex logo or come in Haldex packaging (Figure 1). To protect your fleet from defective or inferior products, be sure to inspect your valves for the items shown below in Figure 2. If it doesn't say Haldex, do not accept it from your distributor. Always be sure to specify Genuine Haldex Height Control Valves.

Figure 1.



Figure 2.



For additional details, contact your local Haldex Sales Professional or the Warranty Claims Department at 800-643-2374.

Haldex Commercial Vehicle Systems

Haldex Brake Products Corporation
10930 N. Pomona Avenue
Kansas City, MO 64153-1256
Phone: 816-891-2470
Fax: 816-891-9447

Haldex Limited
525 Southgate Drive, Unit 1
Guelph, Ontario Canada N1G 3W6
Phone: 519-826-7723
Fax: 519-826-9497