

Recommended procedure for cutting brake chamber pushrod

(Service brake chamber or double diaphragm spring brake chamber)

This procedure is applicable to CSI Midland/Gunite and CSII Midland/Crewson Automatic brake adjusters



WARNING: Always chock wheels to prevent vehicle from moving. Vent vehicle system air pressure to zero psi.

- A. When preparing to install a spring brake chamber, ensure that the unit is fully released (power spring caged) and the service brake pushrod is fully retracted to zero stroke position. Thread the clevis jam nut onto the pushrod.
- B. Place the brake chamber into the appropriate brake assembly bracket. Tighten the holding nuts to the bracket studs (100–140 lb. ft.).
- C. Measure the distance from the centerline of the S-Cam to the centerline of the pushrod (See Figure 1 - Dimension A). This measurement should be equal to the length of the brake adjuster being used. (See Figure 2 - Dimension A).

NOTE: If Dimension A - Figure 1 and Dimension A - Figure 2 are not identical, the chamber mounting bracket is either bent and must be straightened or replaced, the chamber has been mounted improperly in the bracket or the length of the adjuster installed is incorrect. Make any necessary corrections before going to Step D.

- D. Using a square, mark the pushrod at the 90° setting from centerline of s-cam shaft to pushrod (See Figure 1 - Mark #1).
- E. From Mark #1 measure back toward the brake chamber mounting surface in accordance with Chart A ("X" Dimension), make a second mark and cut the pushrod at Mark #2 (See Figure 1 - Mark #2).
- F. Install the appropriate style clevis onto the pushrod and secure the jam nut (33–90 lb. ft.). Connect the clevis to the brake adjuster.
- G. Release parking brakes and adjust the brake adjuster to the shortest possible stroke without the brakes dragging. Make a 90-100 PSI application and measure pushrod stroke. Assure applied stroke does not exceed maximum readjustment limits for type of air chamber used.

DANGER: A spring brake or combination service/spring brake must be disarmed before disposal, or forceful release of the compression spring may occur in the future without warning.

Figure 1

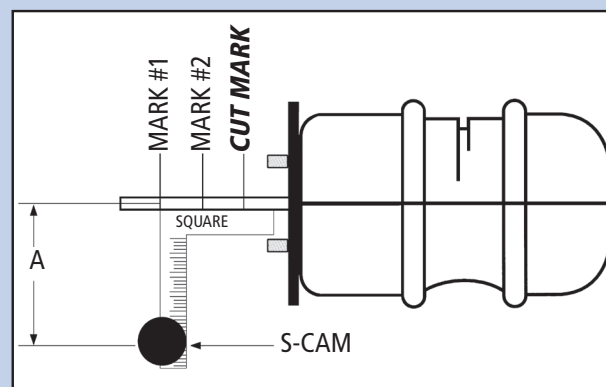


Figure 2

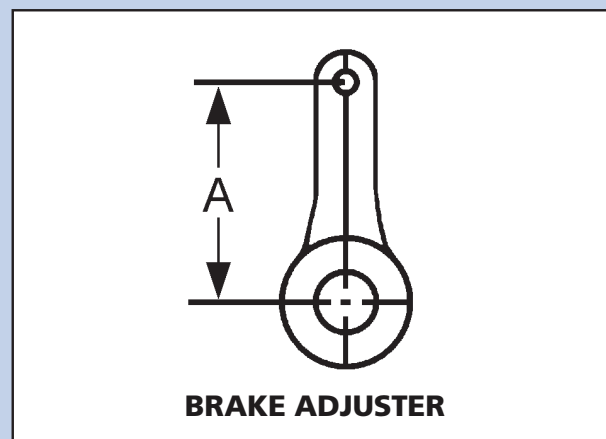


Chart A

Brake Adjuster Length	"X" Dimension
5" - 5 1/2"	2 1/4"
6" - 7"	2 1/2"