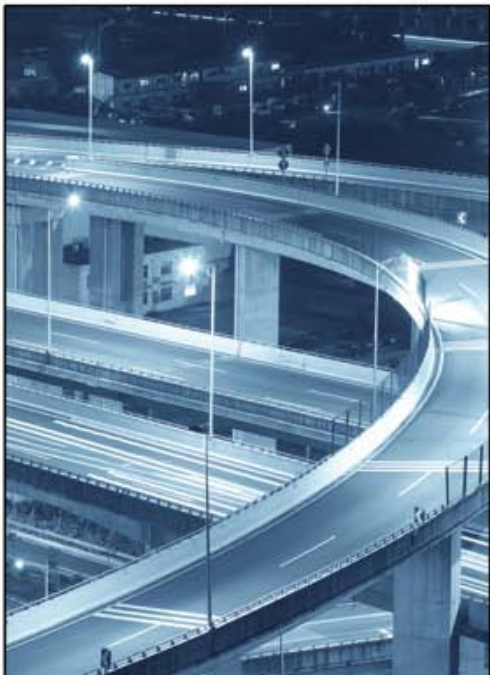




Innovative Vehicle Solutions
www.haldex.com

Vacuum/Hydraulics Catalog L00133W - 6/14



Important Notice

The products described within this literature, including without limitation, product features, specifications, designs, availability and pricing are subject to change by Haldex and its subsidiaries at any time without notice.

This document and other information from Haldex, its subsidiaries and authorized distributors provide product and/or system options for further investigation by users having technical expertise. It is important that you analyze all aspects of your application and review the information concerning the product or system, in the current literature or catalog. Due to the variety of operating conditions and applications for these products or systems, the user, through their own analysis and testing, is solely responsible for making the final selection of the products and systems and assuring that all performance, safety and warning requirements are met.

18 – Vacuum/Hydraulic

Table of Contents	18-1
Part Number Index	18-3
General Information	
Foreword	18-4
Master Cylinders	
Competitive (Remanufactured)	18-5
Midland (Remanufactured)	
Single Reservoir	18-6
Dual Reservoir	18-7
Pressure Converters	
Bendix® – Remanufactured	
Air over Hydraulic	18-8
Haldex – New	
Series III	18-9
Boosters	
Midland Firewall Mount	
Single Diaphragm – Remanufactured	18-10
Midland Frame Mount	
C462/C464R Series – Remanufactured	18-11
Single Diaphragm – Remanufactured	18-12
Midland Ultravac	
C479 Series – Remanufactured	18-13
Bendix® – Remanufactured	
Fourth Series Single Diaphragm with Mounting Bracket	18-14
Fourth Series Single Diaphragm without Mounting Bracket	18-15
Fourth Series Single Diaphragm 3-Line Unit	18-16
Fourth Series Tandem Diaphragm	18-17
Single Piston Frame Mount	18-18
Hydrovac	18-19
Delco – Remanufactured	18-20
Component Parts	18-21
Hydraulic	
Bendix® – Remanufactured	
Hydroboost	18-22
Hydro-Max	18-23
Pump and Motor	18-24
Saginaw – Remanufactured	
Brake Pump	18-25

18-VACUUM/HYDRAULIC

Table of Contents

Push Rod Kits	18-26
Maintenance	
Pressure Converters	18-27

Part Number Index

18-VACUUM/HYDRAULIC

Part Number	Type	Page #	Part Number	Type	Page #	Part Number	Type	Page #	Part Number	Type	Page #
N37112D	S	18-9	RV2771117X	S	18-22						
N37112D	O	18-9	RV2771118X	S	18-22						
N37112D	O	18-9	RV2771173X	S	18-22						
N37112E	S	18-9	RV2771250X	S	18-22						
N37112E	O	18-9	RV2771494X	S	18-24						
N37112E	O	18-9	RV2771544X	S	18-24						
N37112F	S	18-9	RV2772181X	S	18-23						
N37112F	O	18-9	RV2772184X	S	18-23						
N37112F	O	18-9	RV347201X	S	18-6						
N37112G	S	18-9	RV349201X	S	18-6						
N37112G	O	18-9	RV349601X	S	18-6						
N37112G	O	18-9	RV350001X	S	18-7						
N37216	S	18-9	RV350002X	S	18-7						
N37216	O	18-9	RV350301X	S	18-7						
N37216	O	18-9	RV350701X	S	18-6						
N37216A	S	18-9	RV351001X	S	18-7						
N37216A	O	18-9	RV374750X	S	18-18						
N37216A	O	18-9	RV374980X	S	18-18						
N37216B	S	18-9	RV379474X	S	18-18						
N37216B	O	18-9	RV401201X	S	18-12						
N37216B	O	18-9	RV402801X	S	18-10						
N37216C	S	18-9	RV403001X	S	18-10						
N37216C	O	18-9	RV403701X	S	18-10						
N37216C	O	18-9	RV403702X	S	18-10						
N37216E	S	18-9	RV404402X	S	18-10						
N37216G	S	18-9	RV405501X	S	18-12						
N37216G	O	18-9	RV4056X	S	18-12						
N37216G	O	18-9	RV408401X	S	18-10						
RHBP1X	S	18-25	RV408402X	S	18-10						
RN21AM	S	18-9	RV408403X	S	18-10						
RN21AM	O	18-9	RV408404X	S	18-10						
RN21AM	O	18-9	RV408405X	S	18-10						
RV10001K	S	18-21	RV46201X	S	18-11						
RV12379X	S	18-5	RV46202X	S	18-11						
RV129000K	S	18-26	RV46401X	S	18-11						
RV18001047X	S	18-20	RV46801X	S	18-12						
RV18001072X	S	18-20	RV47902X	S	18-13						
RV18001810X	S	18-20									
RV18003144X	S	18-20									
RV18003998X	S	18-20									
RV18006974X	S	18-20									
RV18014080X	S	18-20									
RV18015776X	S	18-20									
RV20001K	S	18-21									
RV2500517X	S	18-16									
RV2500660X	S	18-16									
RV2500690X	S	18-8									
RV2501424X	S	18-16									
RV2503151X	S	18-16									
RV2503259X	S	18-16									
RV2504102X	S	18-16									
RV2504105X	S	18-16									
RV2504113X	S	18-16									
RV2509426X	S	18-18									
RV2511170X	S	18-14									
RV2512059X	S	18-14									
RV2512060X	S	18-15									
RV2512061X	S	18-15									
RV2512062X	S	18-14									
RV2512063X	S	18-14									
RV2512065X	S	18-14									
RV2512066X	S	18-14									
RV2512076X	S	18-15									
RV2512138X	S	18-14									
RV2512139X	S	18-14									
RV2512140X	S	18-15									
RV2512141X	S	18-15									
RV2512142X	S	18-17									
RV2513491X	S	18-17									
RV2513493X	S	18-17									
RV2513494X	S	18-15									
RV2513812X	S	18-17									
RV2513813X	S	18-14									
RV2513814X	S	18-14									
RV2513815X	S	18-19									
RV2765110X	S	18-19									
RV2770255X	S	18-23									
RV2770256X	S	18-23									
RV2770317X	S	18-22									
RV2770433X	S	18-22									
RV2770454X	S	18-23									

Type "O" = OEM P/N, Type "S" = Service P/N

If OEM part # is not found on page listed, refer to the MCR for applicable cross reference.

PURPOSE OF THIS SECTION

This section is designed as a reference for Haldex new and remanufactured air brake system components and accessories, sold under the Haldex and Midland product names. Products described include all pertinent information needed to replace an OEM installed component or to help design an original installation. If there is a service number for a given part, it is noted in the product number table.

DESIGN FLEXIBILITY

The products presented in this section are described by function and usage. Technical data and mounting configurations are also provided. Throughout this section, reference is made to numerous specific OEM applications. This section is not, however, intended to be a mutually exclusive listing of all part numbers and designs available. Should the need for a design not presented occur, contact your Haldex sales representative for additional information.

WARRANTY INFORMATION

Proper service and repair are important to the safe, reliable operation of any motor vehicle. To prevent personal injury and/or vehicle damage, careful and cautious service procedures recommended by the vehicle manufacturer should be followed by anyone servicing a motor vehicle. For details on warranty of Haldex air brake system components and accessories, refer to L20221 Aftermarket Warranty Policy. For warranty returns, use L90005 Warranty Adjustment Form. To obtain further information, visit the www.haldex.com website, select **North America/English** in drop down box then search for **Warranty**.

ORDERING PROCEDURE

Most customers can place electronic orders on the www.haldex.com website by obtaining a username and password or by using EDI. For additional information about electronic orders or to place an order by phone or fax, contact Customer Service in U.S. or Canada at numbers listed below:

U.S. Customer Service:

Phone: 800-643-2374
 Fax: 800-533-1941
 Mail: Haldex Brake Products Corporation
 Attn: Customer Service Department
 10930 N. Pomona Ave.
 Kansas City, MO 64153

Canada Customer Service:

Phone: 800-267-9247
 Fax: 519-621-3924
 Mail: Haldex Limited
 Canadian Distribution Centre
 Attn: Customer Service Department
 500 Pinebush Road, Unit 1
 Cambridge, Ontario N1T 0A5

IMPORTANT NOTICE

The data listed herein is correct to the best of Commercial Vehicle Systems knowledge and belief, having been compiled from reliable and official sources of information. However, COMMERCIAL VEHICLE SYSTEMS CANNOT ASSUME ANY RESPONSIBILITY for possible error or misapplication of the product. Final determination of the suitability of the products for the use contemplated by the Buyer is the sole responsibility of the Buyer. Commercial Vehicle Systems shall have no responsibility in connection with this suitability. It is not our intention to imply that any of the components in this catalog in connection with an engine make or model are made by any engine manufacturer.

Copyright 2014
 Haldex Brake Products Corporation
 10930 N. Pomona Ave.
 Kansas City, MO 64153

All rights reserved.

Materials may only be reproduced with written permission of Haldex.

Competitive (Remanufactured)



SKU#	Product Description	Application	Approximate Weight	Core Group
RV12379X	Master Cylinder for Navistar	1000 Series Navistar 1987-95 3000 Series Navistar 1990-95 4000 Series Navistar 1990-95 7000 Series Navistar 1990-95	14 lbs.	VAC 1036

Midland (Remanufactured)

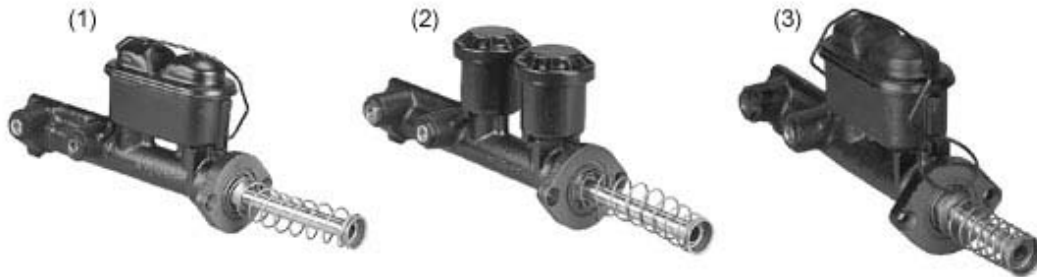
Single Reservoir



SKU#	Product Description	MFG. #	Outlet	Approx. Weight	Notes	Core Group	Pic. #
RV347201X	Remanufactured Midland Single Reservoir Master Cylinder	C3472SD	1/4" Inverted Flare Tube	7 lbs.	Thru-Bolt Cap Output port on top of casting.	VAC1011	1
RV349201X	Remanufactured Midland Single Reservoir Master Cylinder	C3492SX	5/16" Inverted Flare Tube	8.7 lbs.	Thru-Bolt Cap Output on side of casting.	VAC1010	2
RV349601X	Remanufactured Midland Single Reservoir Master Cylinder	C3496SX	5/16" Inverted Flare Tube	8.6 lbs.	Thru-Bolt Cap Output port on side of casting.	VAC1010	2
RV350701X	Remanufactured Midland Single Reservoir Master Cylinder	C3507SB	1/4" Inverted Flare Tube	8.5 lbs.	Bail-Wire Cap Output port on side of casting.	VAC1010	3

Midland (Remanufactured)

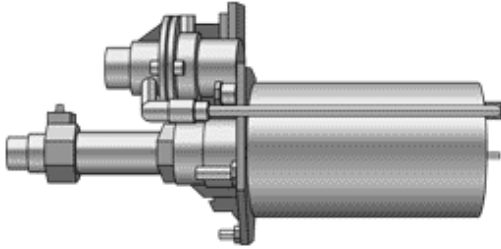
Dual Reservoir



SKU#	Product Description	MFG. #	Approx. Weight	Core Group	Pic. #
RV350001X	Remanufactured Midland Dual Reservoir Master Cylinder	C3500SE	11 lbs.	VAC1012	1
RV350002X	Remanufactured Midland Dual Reservoir Master Cylinder	C3500SF	11 lbs.	VAC1012	1
RV350301X	Remanufactured Midland Dual Reservoir Master Cylinder	C3503SX	11 lbs.	VAC1012	2
RV351001X	Remanufactured Midland Dual Reservoir Master Cylinder	C3510SA	11 lbs.	VAC1012	3

Bendix® – Remanufactured

Air over Hydraulic



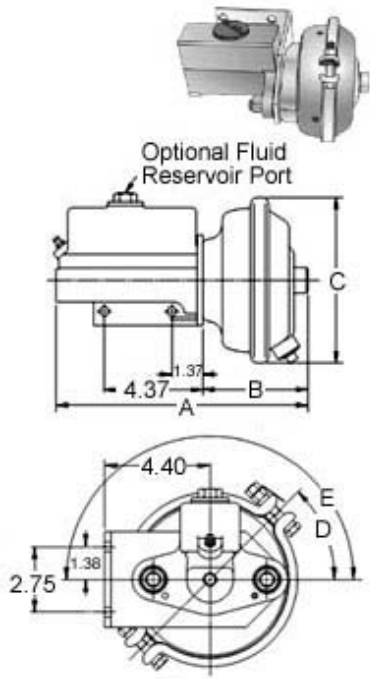
Features:

- Bendix Air-Pac air over hydraulic unit
- Repair and Return only

SKU#	Product Description	Manufacturer's Number	Approx. Weight	Features	Core Group
RV2500690X	Pressure Converter	2500690	15 lbs.	Unit has Hydraulic Residual Pressure Check Valve	VAC1024

Haldex – New

Series III



Features:

- Ratio = Hydraulic/Air
- Rugged construction.
- Designed with premium quality longlife components.
- Units available for use with either DOT3/DOT4 brake fluid.
- Used in systems which require a small hydraulic displacement.
- Wide choice of conversion ratios and hydraulic displacements.
- Visual stroke indicator standard on all units. See chart for units available with additional electric overstroke indicator.

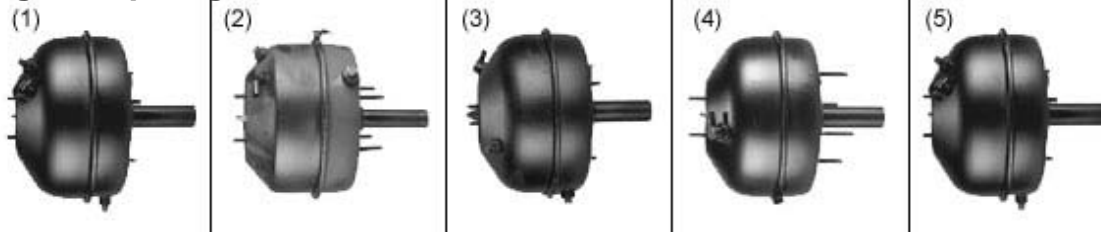
Notes:

- 1) **HALDEX PRESSURE CONVERTERS ARE DESIGNED AS BRAKE ACTUATION DEVICES AND ARE NOT TO BE USED FOR PARKING OR HOLDING BRAKE APPLICATIONS.**
- 2) Performance Curve, Installation Data and Design Features page listed later in this section.

SKU#	Product Description	Ratio	Displ. Min. Hyd.	A	B	C	Hyd. Residual Check Valve	Filler Cap	D	E	Electric Overstroke Indicator
N37112D	Series III	12:1	3.0 cu. in.	11.06"	4.57"	7.34"	Yes	1/2"-20 Thread	45°/225°	180°	No
N37112E	Series III	12:1	3.0 cu. in.	11.06"	4.57"	7.34"	No	-	45°/225°	180°	No
N37112F	Series III	12:1	3.0 cu. in.	11.06"	4.57"	7.34"	Yes	-	45°/225°	180°	No
N37112G	Series III	12:1	3.0 cu. in.	11.06"	4.57"	7.34"	No	1/2"-20 Thread	45°/225°	180°	No
N37216	Series III	16:1	3.5 cu. in.	10.90"	4.65"	8.12"	Yes	1/2"-20 Thread	135°/315°	180°	Yes
N37216A	Series III	16:1	3.5 cu. in.	10.90"	4.65"	8.12"	No	-	135°/315°	180°	Yes
N37216B	Series III	16:1	3.5 cu. in.	10.90"	4.65"	8.12"	Yes	-	135°/315°	180°	Yes
N37216C	Series III	16:1	3.5 cu. in.	10.90"	4.65"	8.12"	No	1/2"-20 Thread	90°/275°	180°	Yes
N37216E	Series III	16:1	3.5 cu. in.	10.90"	4.65"	8.12"	No	1/2"-20 Thread	0°/180°	180°	Yes
N37216G	Series III	16:1	3.5 cu. in.	10.90"	4.65"	8.12"	No	1/2"-20 Thread	135°/315°	0°	Yes
RN21AM	Filler Cap Kit for Pressure Converter Series III	-	-	-	-	-	-	-	-	-	-

Midland Firewall Mount

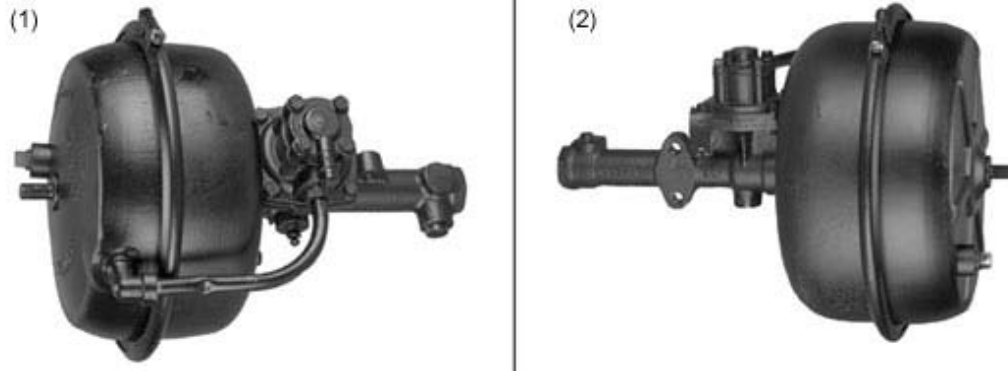
Single Diaphragm – Remanufactured



SKU#	Product Description	MFG. #	Diameter	Overall Length w/Master Cylinder	Stud Size	Stud Pattern	Approx. Weight	Core Group	Pic. #
RV402801X	Reman. Single Diaphragm Vacuum Booster	C4028A	11-1/2"	-	5/16-18 x 3/4"	4" x 5"	15 lbs.	VAC1031	1
RV403001X	Reman. Single Diaphragm Vacuum Booster	C4030B	9-1/2"	-	5/16-18 x 3/4"	3-1/8" x 3-3/8"	10 lbs.	VAC1031	1
RV403701X	Reman. Single Diaphragm Vacuum Booster	C4037L	11-11/16"	22-5/16"	3/8-16 x 2"	3-3/4" x 3-3/4"	17 lbs.	VAC1002	2
RV403702X	Reman. Single Diaphragm Vacuum Booster	C4037N	11-11/16"	23-7/16"	3/8-16 x 1-1/4"	3-3/4" x 3-3/4"	17 lbs.	VAC1002	2
RV404402X	Reman. Single Diaphragm Vacuum Booster	C4044K	11-11/16"	-	5/16-18 x 3/4"	3-9/16" x 5"	14 lbs.	VAC1031	1
RV408401X	Reman. Single Diaphragm Vacuum Booster	C4084MB	13"	30-1/4"	3/8-16 x 3/4"	3-1/2" x 6-1/8"	19 lbs.	VAC1003	3
RV408402X	Reman. Single Diaphragm Vacuum Booster	C4084C	13"	31-9/32"	3/8-16 x 7/8"	3-1/2" x 6-1/8"	20 lbs.	VAC1003	3
RV408403X	Reman. Single Diaphragm Vacuum Booster	C4084E	13"	26-3/4"	3/8-16 x 2-1/2"	4-11/16 x 5"	21 lbs.	VAC1003	4
RV408404X	Reman. Single Diaphragm Vacuum Booster	C4084H	13"	30-1/4"	3/8-16 x 2-1/2"	4-11/16 x 5"	21 lbs.	VAC1003	4
RV408405X	Reman. Single Diaphragm Vacuum Booster	C4084J	13"	33-5/16"	3/8-16 x 7/8"	4-1/2 x 5"	21 lbs.	VAC1003	5

Midland Frame Mount

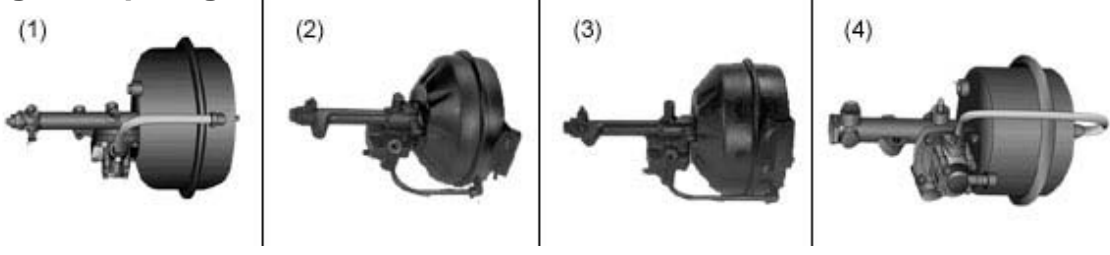
C462/C464R Series – Remanufactured



SKU#	Product Description	MFG. #	Cast. #	Clamp Band Dia.	Hyd. Displ.	O.A.L.	Inlet	Outlet	Max. Boost at 20 In. Hg.	Wt.	Core Group	Pic. #
RV46201X	Remanufactured C462 Series Single Diaphragm Vacuum Booster	C462C	C3388	10.03"	1.80 cu. in.	13.81"	1/2"-20 UNF 3A	1/2"-20 UNF 3A	950 PSI at 250 PSI Input	17 lbs.	VAC1000	1
RV46202X	Remanufactured C462 Series Single Diaphragm Vacuum Booster	C462H	C3433	10.03"	2.12 cu. in.	14.81"	1/2"-20 UNF 3A	1/2"-20 UNF 3A	950 PSI at 250 PSI Input	18 lbs.	VAC1000	1
RV46401X	Remanufactured C464R Series Single Diaphragm Vacuum Booster	C464R	C3389	11.50"	2.48 cu. in.	16.12"	1/8"-27 NPT	1/8"-27 NPT	1150 PSI at 200 PSI Input	23 lbs.	VAC1001	2

Midland Frame Mount

Single Diaphragm – Remanufactured



SKU#	Product Description	MFG. #	Diameter	Overall Length	Inlet	Outlet	Approx. Weight	Core Group	Pic. #
RV401201X	Remanufactured Single Diaphragm Frame Mount Vacuum Booster – Three Line Unit	C4012E	11-1/4"	23-3/4"	1/4" Inverted Flare	1/4" Inverted Flare	20 lbs.	VAC1030	1
RV405501X	Remanufactured Single Diaphragm Frame Mount Vacuum Booster	C4055	11-11/16"	16-3/4"	1/4" Inverted Flare	5/16" Inverted Flare	23 lbs.	VAC1032	2
RV4056X	Remanufactured Single Diaphragm Frame Mount Vacuum Booster	C4056	11-11/16"	18-1/8"	5/16" Inverted Flare	5/16" Inverted Flare	25 lbs.	VAC1016	3
RV46801X	Remanufactured Single Diaphragm Frame Mount Vacuum Booster	C468C	8"	13-7/8"	1/2"- 20 UNF 3B	1/2"- 20 UNF 3B	12 lbs.	VAC1033	4

Midland Ultravac

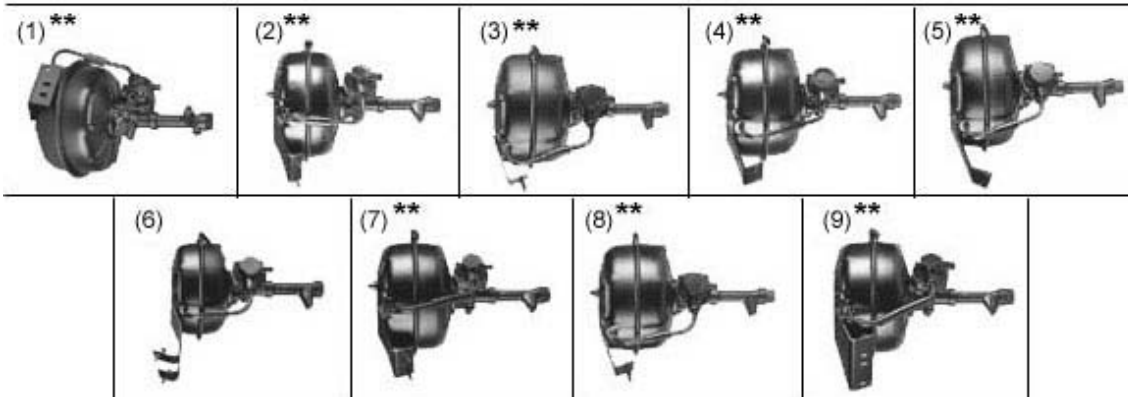
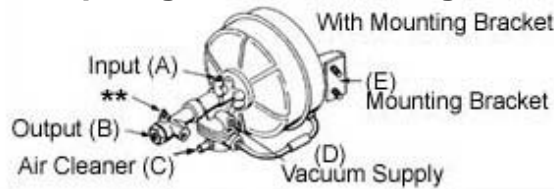
C479 Series – Remanufactured



SKU#	Product Description	MFG. #	Cast. #	Vacuum Cylinder Dia.	Hydraulic Displacement	Overall Length	Hydraulic Output at 20 In. HG.	Inlet	Outlet	Wt.	Core Group
RV47902X	Remanufactured C479B Series Single Diaphragm Ultravac Vacuum Booster	C479B	C3389	11.50"	2.48 cu. in.	16.19"	1060 PSI	Res.	1/4" Inverted Flare	24 lbs.	VAC1000

Bendix® – Remanufactured

Fourth Series Single Diaphragm with Mounting Bracket



*End Caps and Mounting Brackets shown in Identification Aids.

**Units contain residual pressure check valve and must be used with master cylinder that does not have a residual pressure check valve.

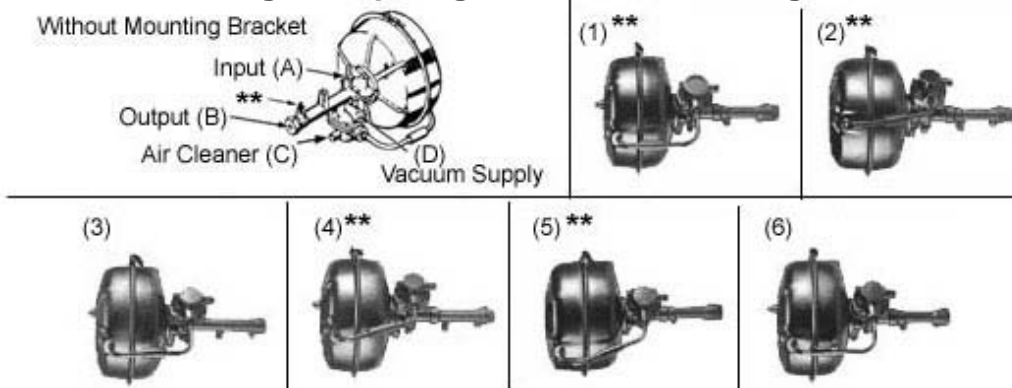
Approximate Weight 26 lbs.

IF=Inverted Flare

SKU#	Product Description	MFG. #	Diameter	Overall Length	A	B	C	D	End Cap*	E*	Core Group	Pic. #
RV2511170X	Reman. Fourth Series	2511170	12-3/4"	18-5/8"	1/4" IF	1/4" IF	3/4"	3/8" NPT	H	MB-2	VAC1004	1
RV2512059X	Reman. Fourth Series	2512059	12-3/4"	17-1/8"	1/4" IF	7/16" Grommet Style	3/4"	1/2" NPT	J	MB-1	VAC1004	2
RV2512062X	Reman. Fourth Series	2512062	12-3/4"	17-5/8"	1/4" IF	1/4" IF	1/2"	1/2" IF	H	MB-4	VAC1004	5
RV2512063X	Reman. Fourth Series	2512063	11-1/32"	16-1/2"	1/4" IF	5/16" IF	1/2"	1/2" IF	H	MB-5	VAC1004	6
RV2512065X	Reman. Fourth Series	2512065	12-3/4"	18-5/8"	5/16" IF	5/16" IF	1/2"	1/2" IF	H	MB-1	VAC1004	7
RV2512066X	Reman. Fourth Series	2512066	12-3/4"	18-5/8"	1/4" IF	1/4" IF	1/2"	1/2" IF	H	MB-1	VAC1004	8
RV2512138X	Reman. Fourth Series	2512138	12-3/4"	18-5/8"	1/4" IF	1/4" IF	3/4"	3/8" NPT	H	MB-3	VAC1004	9
RV2512139X	Reman. Fourth Series	2512139	12-3/4"	18-5/8"	5/16" IF	5/16" IF	3/4"	1/2" NPT	H	MB-2	VAC1004	4
RV2513813X	Reman. Fourth Series	2513813	12-3/4"	18-5/8"	5/16" IF	5/16" IF	3/4"	1/2" IF	H	MB-1	VAC1004	3
RV2513814X	Reman. Fourth Series	2513814	12-3/4"	18-5/8"	5/16" IF	5/16" IF	3/4"	1/2" IF	H	MB-1	VAC1004	3

Bendix® – Remanufactured

Fourth Series Single Diaphragm without Mounting Bracket



***End Caps shown in Identification Aids.**

****Units contain residual pressure check valve and must be used with master cylinder that does not have a residual pressure check valve.
Approximate Weight 25 lbs.**

SKU#	Product Description	MFG. #	Diameter	Overall Length	A	B	C	D	End Cap*	Core Group	Pic. #
RV2512060X	Reman. Fourth Series	2512060	12-3/4"	17-3/8"	1/4" Inverted Flare	7/16"- 20 Copper Gasket	3/4"	1/2" NPT	J	VAC1004	1
RV2512061X	Reman. Fourth Series	2512061	12-3/4"	18-5/8"	1/2" Grommet Style	1/2"- 20 Copper Gasket	3/4"	1/2" NPT	J	VAC1004	2
RV2512076X	Reman. Fourth Series	2512076	12-3/4"	17-1/8"	1/2" Grommet Style	1/2"- 20 Copper Gasket	3/4"	1/2" NPT	G	VAC1004	3
RV2512140X	Reman. Fourth Series	2512140	12-3/4"	18-5/8"	5/16" Inverted Flare	5/16" Inverted Flare	3/4"	3/8" NPT	H	VAC1004	4
RV2512141X	Reman. Fourth Series	2512141	12-3/4"	18-5/8"	5/16" Inverted Flare	5/16" Inverted Flare	3/4"	1/2" NPT	H	VAC1004	5
RV2513494X	Reman. Fourth Series	2513494	12-3/4"	17-5/8"	5/16" Inverted Flare	5/16" Inverted Flare	3/4"	1/2" NPT	H	VAC1004	6

Bendix® – Remanufactured

Fourth Series Single Diaphragm 3-Line Unit



Features:

- 3-Line Unit output port connects to MC Reservoir

Notes:

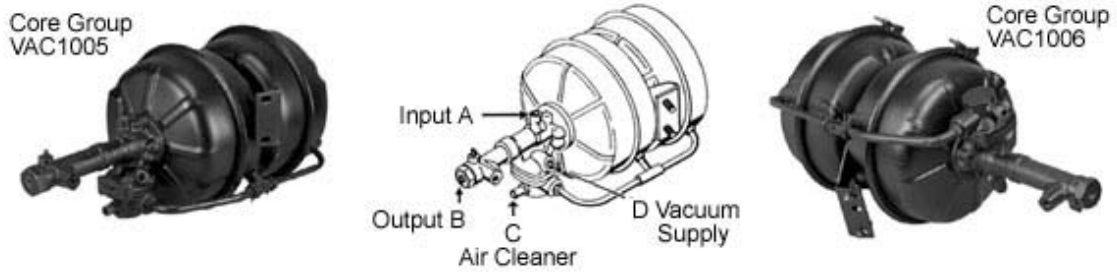
- 1) *End Caps and Mounting Bracket (MB-1) shown in Identification Aids.
- 2) **RV2501424X** contains residual pressure check valve and must be used with master cylinder that does not have a residual pressure check valve.



SKU#	Product Description	MFG. #	Dia.	O.A.L.	Input	Output	Air Cleaner	Vacuum Supply	End Cap*	Wt.	Core Group
RV2500517X	Reman. Fourth Series without Bracket	2500517	12-5/8"	16"	1/2"- 20 Thread	1/2"- 20 Thread	3/4"	3/8" NPT	A	19 lbs.	VAC1013
RV2500660X	Reman. Fourth Series without Bracket	2500660	11"	12-1/2"	1/2"- 20 Thread	1/4" Inverted Flare	1/2"	1/2" NPT	CE	15 lbs.	VAC1014
RV2501424X	Reman. Fourth Series without Bracket	2501424	11-1/32"	14-3/4"	5/16" Inverted Flare	1/4" Inverted Flare	-	-	H	15 lbs.	VAC1025
RV2503151X	Reman. Fourth Series with Bracket*	2503151	11-1/32"	16-1/8"	1/4" Inverted Flare	5/16" Inverted Flare	1/2"	1/2" Inverted Flare	G	23 lbs.	VAC1026
RV2503259X	Reman. Fourth Series without Bracket	2503259	11-1/32"	14"	5/16" Inverted Flare	5/16" Inverted Flare	3/4"	3/8" NPT	H	18 lbs.	VAC1023
RV2504102X	Reman. Fourth Series with Bracket*	2504102	11-1/32"	16"	1/4" Inverted Flare	5/16" Inverted Flare	1/2"	1/2" Inverted Flare	I	22 lbs.	VAC1026
RV2504105X	Reman. Fourth Series without Bracket	2504105	12-3/4"	17-1/2"	1/4"- 20 Thread	1@1/8"- 27 NPT (end of hydraulic cylinder) 1@1/2"- 20 Thread (in side of end cap)	3/4"	1/2" NPT	H	25 lbs.	VAC1028
RV2504113X	Reman. Fourth Series with Bracket*	2504113	12-3/4"	17-1/2"	1/4" Inverted Flare	5/16" Inverted Flare	1/2"	1/2" Inverted Flare	H	25 lbs.	VAC1013

Bendix® – Remanufactured

Fourth Series Tandem Diaphragm

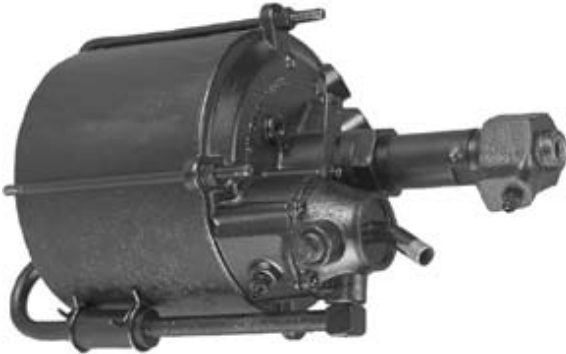


***End Caps shown in Identification Aids.**

SKU#	Product Description	MFG. #	Dia.	Overall Length	A	B	C	D	End Cap*	Wt.	Core Group
RV2512142X	Remanufactured Bendix® Fourth Series Tandem Diaphragm Frame Mount	2512142	12-3/4"	24-3/4"	5/16" Inverted Flare	1/4" Inverted Flare	3/4"	1/2" NPT	H	39 lbs.	VAC1005
RV2513491X	Remanufactured Bendix® Fourth Series Tandem Diaphragm Frame Mount	2513491	12-3/4"	24-3/4"	5/16" Inverted Flare	1/2" Grommet Style	3/4" or 1"	1/2" NPT	J	40 lbs.	VAC1006
RV2513493X	Remanufactured Bendix® Fourth Series Tandem Diaphragm Frame Mount	2513493	12-3/4"	24-3/4"	5/16" Inverted Flare	1/2" Grommet Style	3/4" or 1"	1/2" NPT	J	39 lbs.	VAC1006
RV2513812X	Remanufactured Bendix® Fourth Series Tandem Diaphragm Frame Mount	2513812	12-3/4"	24-3/4"	5/16" Inverted Flare	5/16" Inverted Flare	3/4"	1/2" Inverted Flare	H	38 lbs.	VAC1006

Bendix® – Remanufactured

Single Piston Frame Mount



Notes:

- 1) *End Caps shown in Identification Aids.

SKU#	Product Description	MFG. #	Dia.	Overall Length	Input	Output	Air Cleaner	Vacuum Supply	End Cap*	Wt.	Core Group
RV2509426X	Remanufactured Bendix® Single Piston Frame Mount	2509426	9-1/2"	23-5/16"	1/2"- 20 Thread	1/2"- 20 Thread	3/4"	1/2" NPT	B	26 lbs.	VAC1015
RV374750X	Remanufactured Bendix® Single Piston Frame Mount	374750	9-1/2"	22"	1/2"- 20 Thread	1/2"- 20 Thread	3/4"	1/2" NPT	B	26 lbs.	VAC1015
RV374980X	Remanufactured Bendix® Single Piston Frame Mount	374980	9-1/2"	17-5/16"	1/2"- 20 Thread	1/2"- 20 Thread	3/4"	1/2" NPT	B	24 lbs.	VAC1015
RV379474X	Remanufactured Bendix® Single Piston Frame Mount	379474	6-3/4"	14-1/2"	1/2"- 20 Thread	1/2"- 20 Thread	1/2"	3/8" NPT	A or E	15 lbs.	VAC1015

Bendix® – Remanufactured

Hydrovac



Features:

- Return & Rebuild only

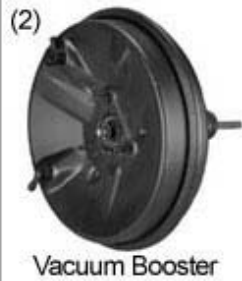
Notes:

- 1) *End Caps shown in Identification Aids.



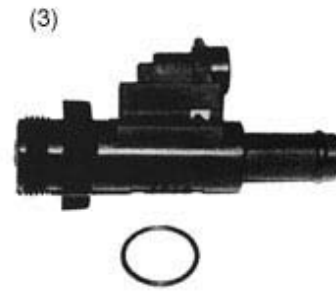
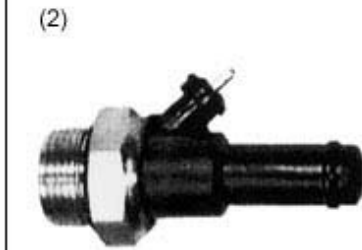
SKU#	Product Description	MFG. #	Diameter	Overall Length	Input	Output	Vacuum Supply	End Cap*	Approx. Weight	Core Group
RV2513815X	Remanufactured Bendix® Hydrovac	2513815	12-3/4"	8-5/8"	1/4" Inverted Flare	1/4" Inverted Flare	1/2" NPT	H	24 lbs.	VAC1004
RV2765110X	Remanufactured Bendix® Pasco Hydrovac	2765110	12-3/4"	18-5/8"	-	5/16" Inverted Flare	1/2" NPT	H	24 lbs.	VAC1007

Delco – Remanufactured



SKU#	Product Description	MFG. #	Approx. Weight	Features	Primary Application	Core Group	Pic. #
RV18001047X	Remanufactured Delco Dual Power Booster	18001047	6 lbs.	R & R only. Casting 2623501.	-	VAC1019	1
RV18001072X	Remanufactured Delco Vacuum Booster	18001072	22 lbs.	Piston Rod Length - 7" with Removable Mounting Plate	GMC	VAC1019	2
RV18001810X	Remanufactured Delco Hy-Power Hydroboost	18001810 18015765	17 lbs.	7" Threaded Rod Length Installed (Push rod loose in box) Supplied with Flow Switch Inverted Flare Input Line Push Rod Boot not included	GM OshKosh	VAC1018	3
RV18003144X	Remanufactured Delco Vacuum Booster	18003144	22 lbs.	Piston Rod Length - 5" with Removable Mounting Plate	GMC	VAC1019	2
RV18003998X	Remanufactured Delco Hy-Power Hydroboost	18003998	17 lbs.	5-1/2" Threaded Rod Supplied with Flow Switch Push Rod Boot not included	Navistar (IHC)	VAC1018	3
RV18006974X	Remanufactured Delco Hy-Power Hydroboost	18006974	4 lbs.	Pump & Motor Only 1 Wire	All	VAC1007	4
RV18014080X	Remanufactured Delco Hy-Power Hydroboost	18014080 18015765	19 lbs.	9-1/4" Fixed Eyelet Rod Flow Switch RV20002K Supplied Separately Tube Type O-Ring Fitting Push Rod Boot not included	Topkick Kodiak	VAC1018	3
RV18015776X	Remanufactured Delco Hy-Power Hydroboost	18015776	4 lbs.	Pump and Motor Only 2 Wire	Topkick & Kodiak	VAC1007	4

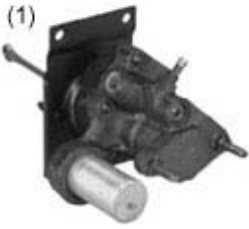
Component Parts



SKU#	Product Description	MFG. #	Application/Notes	Pic. #
RV10001K	Vacuum Booster Check Valve Kit	-	Contents in Kit: (1) Check Valve, (2) Hose Clamps, (1) Screw & (1) Piece of Vacuum Hose	1
RV20001K	Vacuum Booster Flow Switch	18005544	RV18001810X RV18003998X	2

Bendix® – Remanufactured

Hydroboost

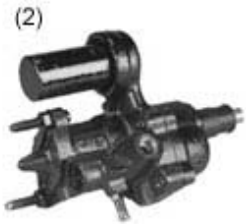


Features:

- Hydraulic Assisted Booster

Notes:

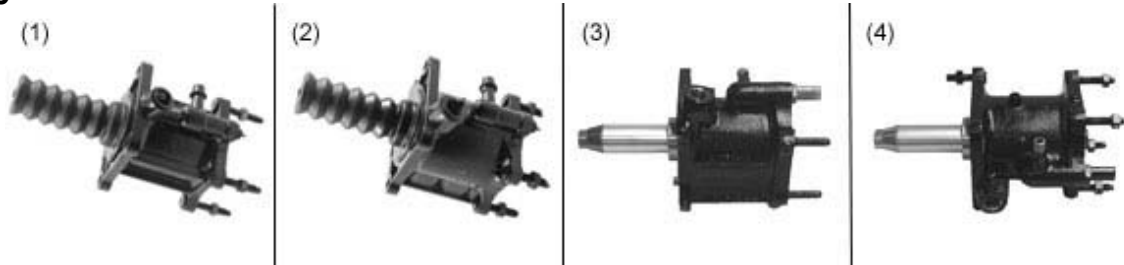
- 1) Removeable mounting plate (units are shipped with new mounting nut).



SKU#	Product Description	MFG. #	Inlet	Outlet	Accumulator	Input Piston Dia.	Approx. Weight	App.	Core Group	Pic. #
RV2770317X	Remanufactured Bendix® Hydroboost	2770317	Metric Straight	Metric Straight	GOLD	19/32" Straight	10 lbs.	GMC	VAC1007	1
RV2770433X	Remanufactured Bendix® Hydroboost	2770433	11/16-18 Straight	5/8-18 Straight	BLUE	21/32" Standard Thread	14 lbs.	Ford Heavy Duty	VAC1022	2
RV2771117X	Remanufactured Bendix® Hydroboost	2771117	Metric Straight	Metric Straight	GOLD	3/4" Grommet Style	12 lbs.	GMC	VAC1008	3
RV2771118X	Remanufactured Bendix® Hydroboost	2771118	Metric Straight	Metric Straight	BLUE	21/32" Grommet Style	13 lbs.	GM	VAC1022	2
RV2771173X	Remanufactured Bendix® Hydroboost	2771173	11/16-18 Inverted	5/8-18 Inverted	SILVER	3/4" Grommet Style	17 lbs.	GMC	VAC1009	3
RV2771250X	Remanufactured Bendix® Hydroboost	2771250	Metric Straight	Metric Straight	GOLD	21/32" Grommet Style	10 lbs.	GMC	VAC1007	1

Bendix® – Remanufactured

Hydro-Max



Hydraulic Actuated Units

SKU#	Product Description	MFG. #	Input	Output	Approx. Weight	Notes	Application	Core Group	Pic. #
RV2770255X	Remanufactured Bendix® Hydro-Max I Booster	2770255 2771558	3/4-18 with o'ring tube seat	1/2" Inside Diameter for push on hose	6 lbs.	Inlet port on center line.	Ford	VAC1007	1
RV2770256X	Remanufactured Bendix® Hydro-Max I Booster	2770256 2771559	3/4-18 with o'ring tube seat	1/2" Inside Diameter for push on hose	4 lbs.	Inlet port on center line.	Ford	VAC1007	1
RV2770454X	Remanufactured Bendix® Hydro-Max II Booster	2770454 2771552	3/4-18 with o'ring tube seat	1/2" Inside Diameter for push on hose	6 lbs.	Inlet port off center.	IHC	VAC1007	2
RV2772181X	Remanufactured Bendix® Hydro-Max II Booster	2772114	3/4-18 with o'ring tube seat	1/2" Inside Diameter for push on hose	4 lbs.	Used with Mini Master Cylinder bore size 2".	IHC Chev. GMC	VAC1045	3
RV2772184X	Remanufactured Bendix® Hydro-Max II Booster	2772114	3/4-18 with o'ring tube seat	1/2" Inside Diameter for push on hose	4 lbs.	Used with Mini Master Cylinder bore size 1-3/4".	Chev. GMC	VAC1045	4

Bendix® – Remanufactured

Pump and Motor



Features:

- Reserve Electric Motor Pump

Specifications:

Approximate Weight 5 lbs.

Notes:

- 1) Supplied with two face seals.

SKU#	Product Description	Manufacturer's Number	Application	Features	Core Group
RV2771494X	Remanufactured Pump & Motor for Bendix® Hydro-Max	2771494	Bendix® Hydro-Max I & II	With Lead Wire	VAC1021
RV2771544X	Remanufactured Pump & Motor for Bendix® Hydro-Max	2771544	Bendix® Hydro-Max I & II	Stud – No Lead Wire	VAC1021

Saginaw – Remanufactured

Brake Pump



Features:

- Pump with Press on Pulley
- Metric Fitting in Output Port

Specifications:

Approximate Weight 5 lbs.

SKU#	Product Description	Application	Core Group
RHBP1X	Remanufactured Saginaw Brake Pump	1980–Present Ford Truck with Bendix® Hydro–Max Style System	HYD2021

Push Rod Kits



Features:

- Used on change overs from "Staked Rod Type" units.

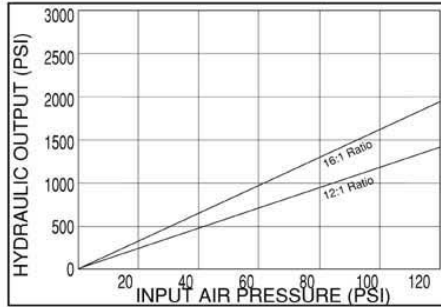
Specifications:

- RV000002K Adapter** Length 2.5"
- RV129495K Grommet** .47 Outside Diameter
.25 Inside Diameter
- RV129708K Rod** Staked Rod #71217
Length 6"
- RV129960K Rod** Staked Rod #71236
Length 3.4"
- RV129970K Rod** Staked Rod #71235
Length 5.6"
- RV2770533K Rod** Staked Rod #71237
Length 3.6"
- RV2771406K Rod** Staked Rod #71346, 71586
Length 5"

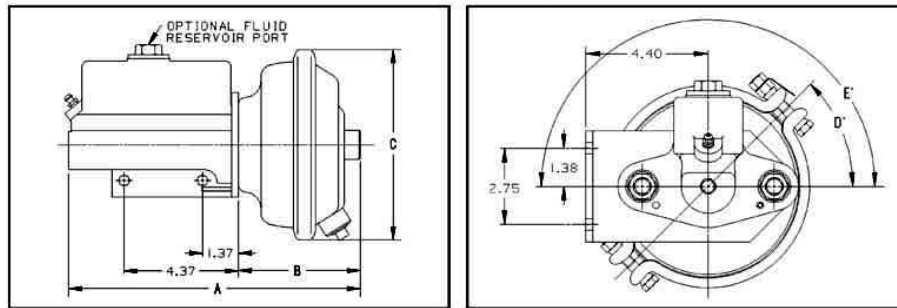
SKU#	Product Description	Manufacturer's Number	Kit Contents – Pedal Rods	Kit Contents – Adapter
RV129000K	Push Rod Kit	HPR12900	5 – Different pedal rods (2 each) for Grommet Type units	1–Special adapter for converting RV18003998X Delco Hy–Power to RV18001810 by extending the pedal rod

Performance Curve and Over-Stroke Indicators – Series III

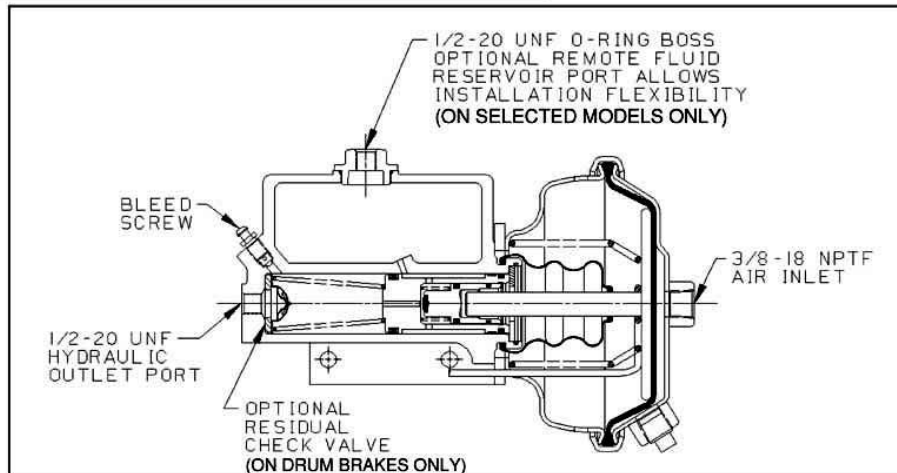
PERFORMANCE CURVE AND OVER-STROKE INDICATORS — SERIES III



INSTALLATION DATA - SERIES III



DESIGN FEATURES - SERIES III



Notes

This page left blank intentionally.

Haldex develops and provides reliable and innovative solutions with focus on brake and air suspension products to the global commercial vehicle industry.

Listed on the Stockholm Stock Exchange, Haldex has annual sales of approximately 3.9 billion SEK and employs about 2,200 people.

Disclaimer: The products described within this literature, including without limitation, product features, specifications, designs, availability and pricing are subject to change by Haldex and its subsidiaries at any time without notice.

This document and other information from Haldex, its subsidiaries and authorized distributors provide product and/or system options for further investigation by users having technical expertise. It is important that you analyze all aspects of your application and review the information concerning the product or system, in the current literature or catalog. Due to the variety of operating conditions and applications for these products or systems, the user, through their own analysis and testing, is solely responsible for making the final selection of the products and systems and assuring that all performance, safety and warning requirements are met.

©2014, Haldex AB - This material may contain Haldex trademarks and third party trademarks, trade names, corporate logos, graphics and emblems which are the property of their respective companies. The contents of this document may not be copied, distributed, adapted or displayed for commercial purposes or otherwise without prior written consent from Haldex.

Innovative Vehicle Solutions

Austria

Haldex Wien Ges.m.b.H.
Vienna
Tel.: +43 1 8 69 27 97
Fax: +43 1 8 69 27 97 27
E-Mail: info.at@haldex.com

Belgium

Haldex N.V.
Balegem
Tel.: +32 9 363 90 00
Fax: +32 9 363 90 09
E-Mail: info.be@haldex.com

Brazil

Haldex do Brasil Ind. E Com. Ltda.
São José dos Campos
Tel.: +55 12 3935 4000
Fax: +55 12 3935 4018
E-Mail: info.brasil@haldex.com

Canada

Haldex Ltd.
Cambridge, Ontario
Tel.: +1 519 621 6722
Fax: +1 519 621 3924
E-Mail: info.ca@haldex.com

China

Haldex Vehicle Products Co. Ltd.
Suzhou
Tel.: +86 512 8885 5301
Fax: +86 512 8765 6066
E-Mail: info.cn@haldex.com

France

Haldex Europe SAS
Weyersheim
Tel.: +33 3 88 68 22 00
Fax: +33 3 88 68 22 09
E-Mail: info.eur@haldex.com

Germany

Haldex Brake Products GmbH
Heidelberg
Tel.: +49 6 221 7030
Fax: +49 6 221 703400
E-Mail: info.de@haldex.com

Hungary

Haldex Hungary Kft.
Szentlőrincskáta
Tel.: +36 29 631 400
Fax: +36 29 631 401
E-Mail: info.hu.eu@haldex.com

India

Haldex India Limited
Nasik
Tel.: +91 253 6699501
Fax: +91 253 2380729

Italy

Haldex Italia Srl.
Biassono
Tel.: +39 039 47 17 02
Fax: +39 039 27 54 309
E-Mail: info.it@haldex.com

Korea

Haldex Korea Ltd.
Seoul
Tel.: +82 2 2636 7545
Fax: +82 2 2636 7548
E-Mail: info.hkr@haldex.com

Mexico

Haldex de Mexico S.A. De C.V.
Monterrey
Tel.: +52 81 8156 9500
Fax: +52 81 8313 7090

Poland

Haldex Sp. z o.o.
Praszka
Tel.: +48 34 350 11 00
Fax: +48 34 350 11 11
E-Mail: info.pl@haldex.com

Russia

OOO "Haldex RUS"
Moscow
Tel.: +7 495 747 59 56
Fax: +7 495 786 39 70
E-Mail: info.ru@haldex.com

Spain

Haldex España S.A.
Granollers
Tel.: +34 93 84 07 239
Fax: +34 93 84 91 218
E-Mail: info.es@haldex.com

Sweden

Haldex Brake Products AB
Landskrona
Tel.: +46 418 47 60 00
Fax: +46 418 47 60 01
E-Mail: info.se@haldex.com

United Kingdom

Haldex Ltd.
Newton Aycliffe
Tel.: +44 1325 310 110
Fax: +44 1325 311 834
E-Mail: info.gb@haldex.com

Haldex Brake Products Ltd.
MIRA Technology Park
Tel.: +44 2476 400 300
Fax: +44 2476 400 301
E-Mail: info.gbre@haldex.com

USA

Haldex Brake Products Corp.
Kansas City
Tel.: +1 816 891 2470
Fax: +1 816 891 9447
E-Mail: info.us@haldex.com



www.haldex.com

L00133W US 6/14 WEB ONLY