

# FLEET SHEET

**Haldex**

**"Extra Life"  
Quick Release Valve**

## Application Information

1. Determine if Quick Release is a "0 Differential."
2. Look inside the ports. If you can see a spring, it is a differential Quick Release (refer to current Haldex Master Catalog for part numbers).

## Competitive Advantages

- ✓ **Special Dirt Exclusion Seal**  
**Advantage Haldex:** Keeps road grime and dirt out and doubles life expectancy.
- ✓ **Made of Durable Engineering Grade Composite Material**  
**Advantage Haldex:** Nearly indestructible, resists corrosion, outlasts aluminum.
- ✓ **Reinforced Ports**  
**Advantage Haldex:** Large port bosses resist cracking due to over-tightening and hose stresses resulting in longer life expectancy.
- ✓ **Works In Any Environment**  
**Advantage Haldex:** Meets rugged U.S. Military temperature specifications.

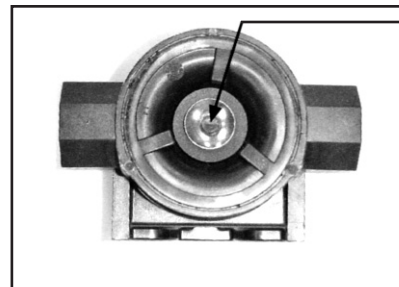
## Special Notes:

Dirt entering through the exhaust port is the number one killer of Quick Release Valves.



**Part Number: KN32013**

- NPTF Threads Ensure No Leaks
- Single Piece Design - Easy To Troubleshoot
- Made Of Durable Engineering Grade Composite Material
- Reinforced Ports Resist Cracking
- Meets U.S. Military Specifications  
-50°F to +120°F



Special Dirt Exclusion Seal Keeps Contaminants Out!

# FLEET SHEET

## cont.

# Haldex

## "Extra Life" Quick Release Valve

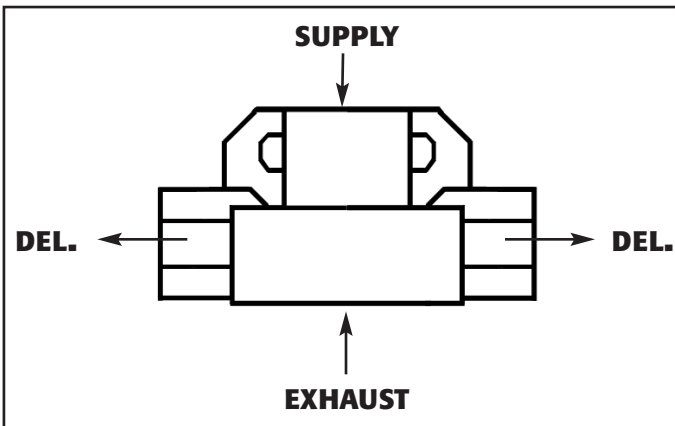
### Cross-Reference Information

The Haldex KN32013 "Extra Life" Quick Release Valve will replace all competitive quick releases with a 1/2" pipe inlet and 3/8" outlets.

- Bendix®
- Sealco
- Williams
- Tramec
- Off Shore Copies

### Related Items Checklist

- Pre-Made Hoses
- Fittings
- Spring Brakes and Diaphragms
- Nuts and Bolts
- Thread Sealant



### Competitor Overview

#### BENDIX® and TRAMEC

- 1) Do not offer an extra long life version.
- 2) Subject to contamination from road spray.
- 3) Normally a two-piece construction subject to leakage.
- 4) Metal versions subject to aluminum corrosion, inside and out.

#### OFF SHORE COPIES

- 1) Do not offer an extra long life version and are subject to contamination from road spray.
- 2) Poor quality rubber internal seal typically used reduces product life expectancy.
- 3) Rough castings may induce premature failures due to particle contamination.
- 4) Normally a two-piece construction subject to leakage.

### Interchange/Upgrade Programs

Interchange/Upgrade Programs are not applicable to the Haldex KN32013 "Extra Life" Quick Release Valve.

### Available Literature

MC1110CD Haldex Master Catalog  
L25006 Data Sheet EGC Valves  
L00134 Air Valve Catalog  
L20024 Quick Reference Catalog

### Installation Advisories

- ✓ Tighten fittings finger tight; then 1 1/2 to 2 turns more.
- ✓ Exhaust must face down.

[www.haldex.com](http://www.haldex.com)