

# FLEET SHEET

**Haldex**

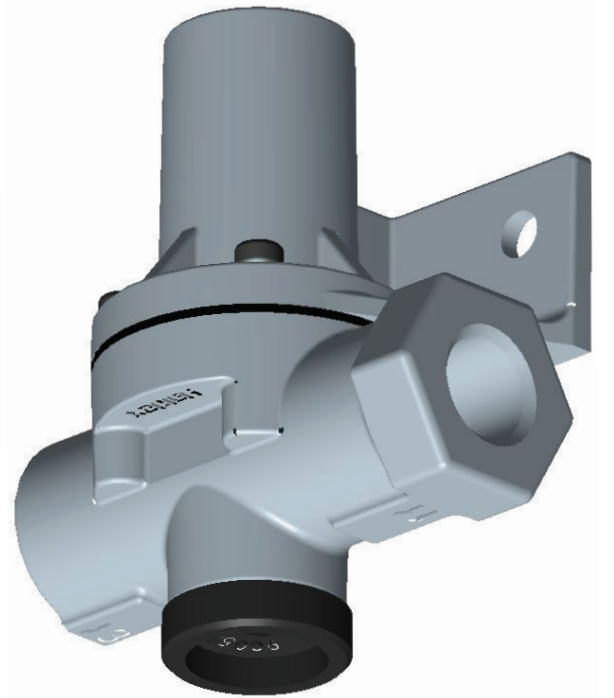
## Reservoir Purge Valve (RPV)

### Application Information

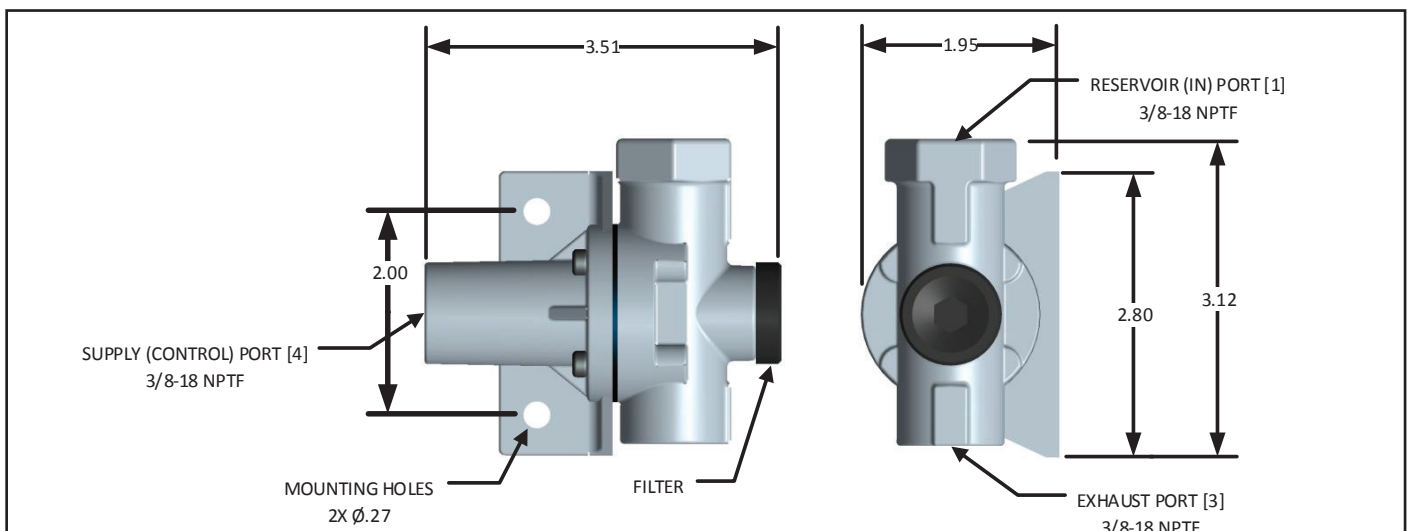
1. Install or retrofit to trailer or dolly reservoirs with no or minimal additional changes.
2. Frame or bracket mounting.
3. Install on trailers and dollies - anywhere a manual drain valve is required.

### Features – Benefits – Advantages

- ✓ **Unique Function**  
Valve drains the air reservoir pressure down to  $85 \pm 5$  psi upon setting the parking brakes or releasing the emergency/supply air from the towed vehicle, given the air reservoir pressure is  $\geq 115$  psi. No electrical hookup is necessary to operate the Haldex RPV.
- ✓ **Does Not Depend Upon The Compressor Cycling**  
Reduces possible build-up of water, oil and other contaminants in the air reservoir.
- ✓ **Ensures That Liquids Are Automatically Removed**  
Results in optimal air brake and other auxiliary systems performance.
- ✓ **Integrated Filter**  
Protects the valve from contamination, for greater degree of reliability.
- ✓ **Serviceable Design**  
Filter can be serviced without removal of the valve from the vehicle.
- ✓ **Compact Low Profile Design**  
Built-in mounting bracket creates multiple installation options.



Integrated Filter prevents debris from damaging the valve.



# FLEET SHEET



## Reservoir Purge Valve (RPV)

### Cross-Reference Information

The Haldex RPV can replace many competitive Automatic Drain Valves and other products of similar function:

- Bendix® DV-2
- Stemco® Moisture Ejection Valve
- Expello® Pneumatic Drain Valve

### Related Items Checklist

- Air Hose
- Fittings
- Manual Drain Valve

### Interchange/Upgrade Programs

Interchange/Upgrade Programs are not applicable to the Haldex Reservoir Purge Valve.

### Warranty

3 Year/350,000 Miles

### Part Numbers

KN21200	RPV Only (Aftermarket)
N20976BC	RPV Only (OEM)
102644AD	RPV Installed on Panel
42123048	RPV Retrofit Kit (Includes: RPV, Supplemental Bracket, Fittings for 3/8" and 1/2" Applications)
48100200	Filter Replacement Kit
K202016	Supplemental Bracket Kit

### Competitor Overview

#### Bendix® DV-2

- Heated version (12V or 24V) available
- Activated by pressure differential
- No integrated filter
- Warranty 1 year/100,000 miles or 3,600 hrs.

#### Stemco® Moisture Ejection Valve

- Heated version (12V or 24V) available
- Purges at cut-in and cut-out when connected to governor
- No integrated filter
- Claims expels up to 3 oz (89 cc) of moisture. Haldex testing measure 1 oz (29.6 cc)
- Includes manual drain (petcock)
- Warranty 1 year as standard

#### Expello® Pneumatic Drain Valve

- Heated version (12V or 24V) available
- Purges at cut-in and cut-out with "blast" purge
- No claim of purge volume
- Warranty 1 year as standard

### Available Literature

- L25127 Reservoir Purge Valve (RPV) Technical Information Data Sheet
- L30046W Quick Service Guide (web only)
- L31281W Installation Instructions (web only)

### NOTE

The law requires a manual drain valve be present on each reservoir. It is recommended to use a Tee Fitting in the reservoir to plumb the Haldex Reservoir Purge Valve (RPV) and include the manual drain valve.